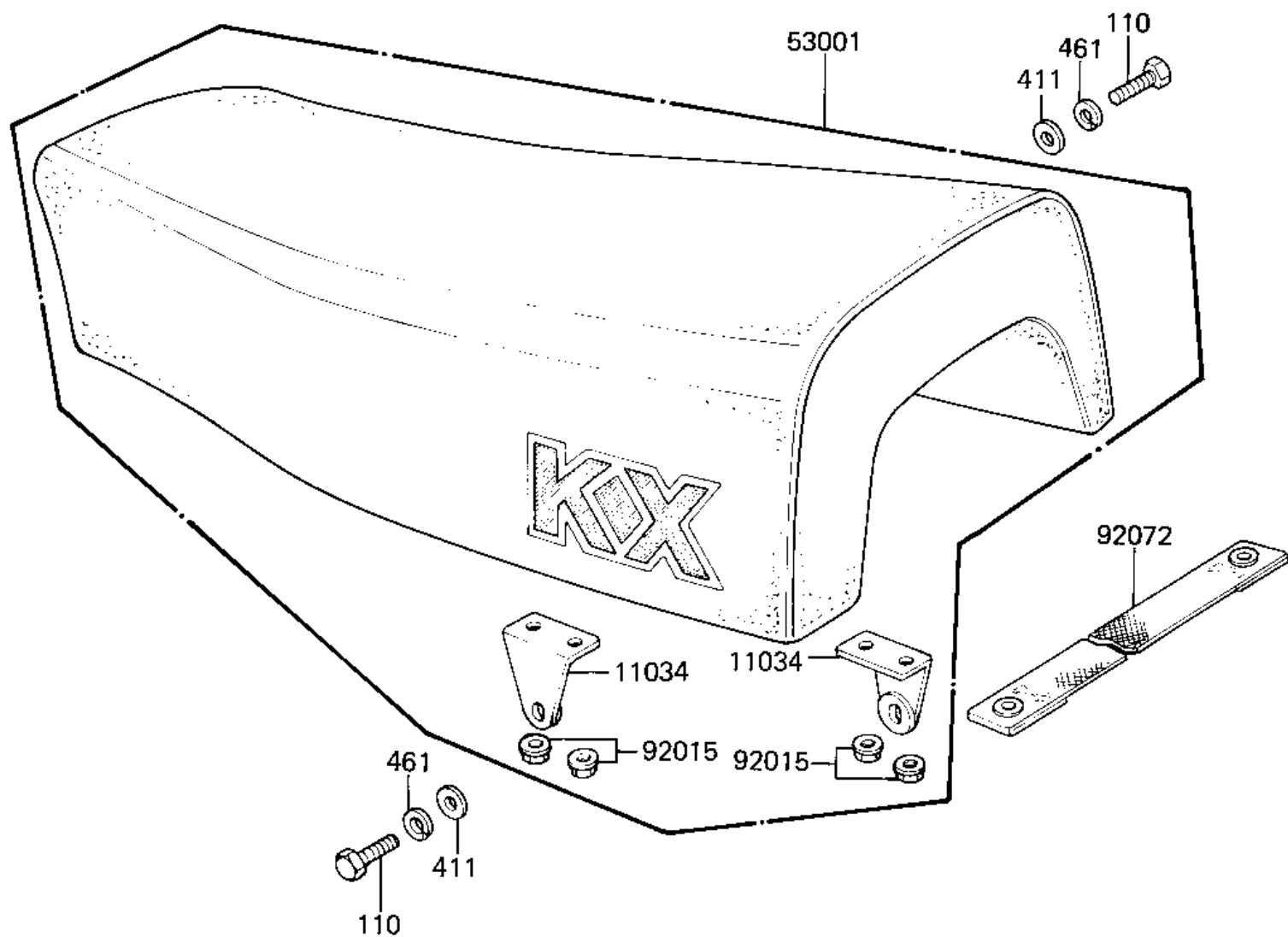


1981 KX™80 PARTS DIAGRAM

SEAT

F2510-0096



1981 KX™80 PARTS LIST

SEAT

ITEM NAME	PART NUMBER	QUANTITY
BRACKET,SEAT (Ref # 11034)	11034-1993	1
SEAT-ASSY (Ref # 53001)	53001-1272	1
NUT-6MM (Ref # 92015)	92015-1078	1
BAND (Ref # 92072)	92072-3742	1
BOLT-UPSET,6X16 (Ref # 110)	112G0616	1
WASHER PLAIN 6MM (Ref # 411)	411B0600	1
WASHER SPRING 6MM (Ref # 461)	461F0600	1