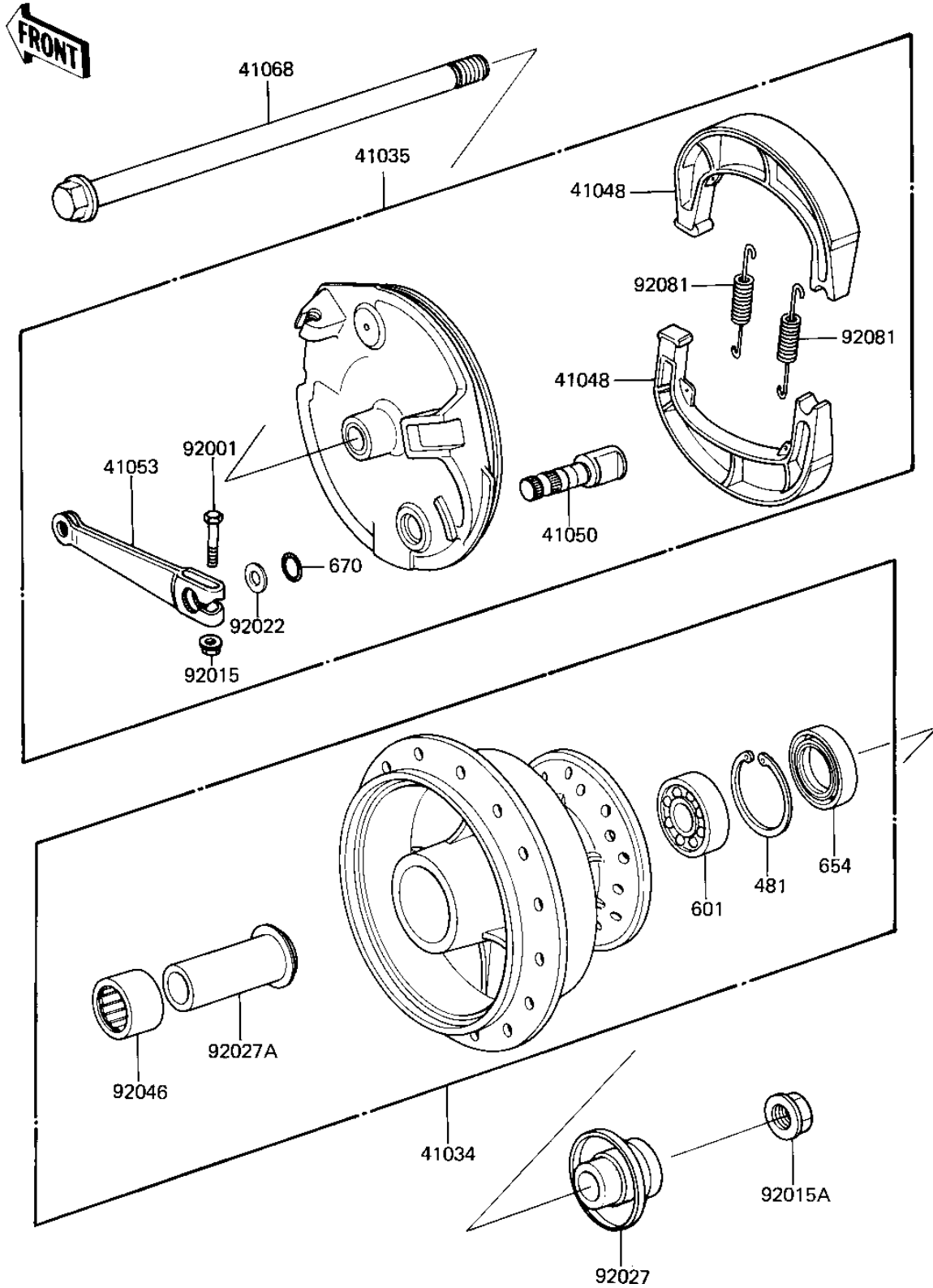


## 1981 KX™80 PARTS DIAGRAM

FRONT HUB/BRAKE ('82 KX80-C2)

FZZ50-0047



## 1981 KX™80 PARTS LIST

FRONT HUB/BRAKE ('82 KX80-C2)

ITEM NAME	PART NUMBER	QUANTITY
DRUM-ASSY,FR BRK (Ref # 41034)	41034-1053	1
PANEL-ASY,FR BRK (Ref # 41035)	41035-1085	1
SHOE,BRAKE (Ref # 41048)	41048-1021	1
CAM,BRAKE,FRONT (Ref # 41050)	41050-1009	1
LEVER,BRAKE CAM,FRONT (Ref # 41053)	41053-1011	1
AXLE,FRONT (Ref # 41068)	41068-1011	1
BOLT,HEX HEAD,6X30 (Ref # 92001)	92001-1135	1
NUT,6MM (Ref # 92015)	41072-007	1
NUT,10MM (Ref # 92015A)	92015-1415	1
WASHER (Ref # 92022)	92022-257	1
COLLAR,FRONT AXLE (Ref # 92027)	92027-1094	1
COLLAR,L=47 (Ref # 92027A)	92027-1378	1
BEARING-NEEDLE,RNA490 (Ref # 92046)	92046-1039	1
SPRING,BRAKE SHOE (Ref # 92081)	92081-1766	1
CIRCLIP,35MM (Ref # 481)	481J3500	1
BEARING,BALL,#6300 (Ref # 601)	601B6300	1
OIL SEAL,20X35X7 (Ref # 654)	654A203507	1
"O" RING,12MM (Ref # 670)	670B2012	1