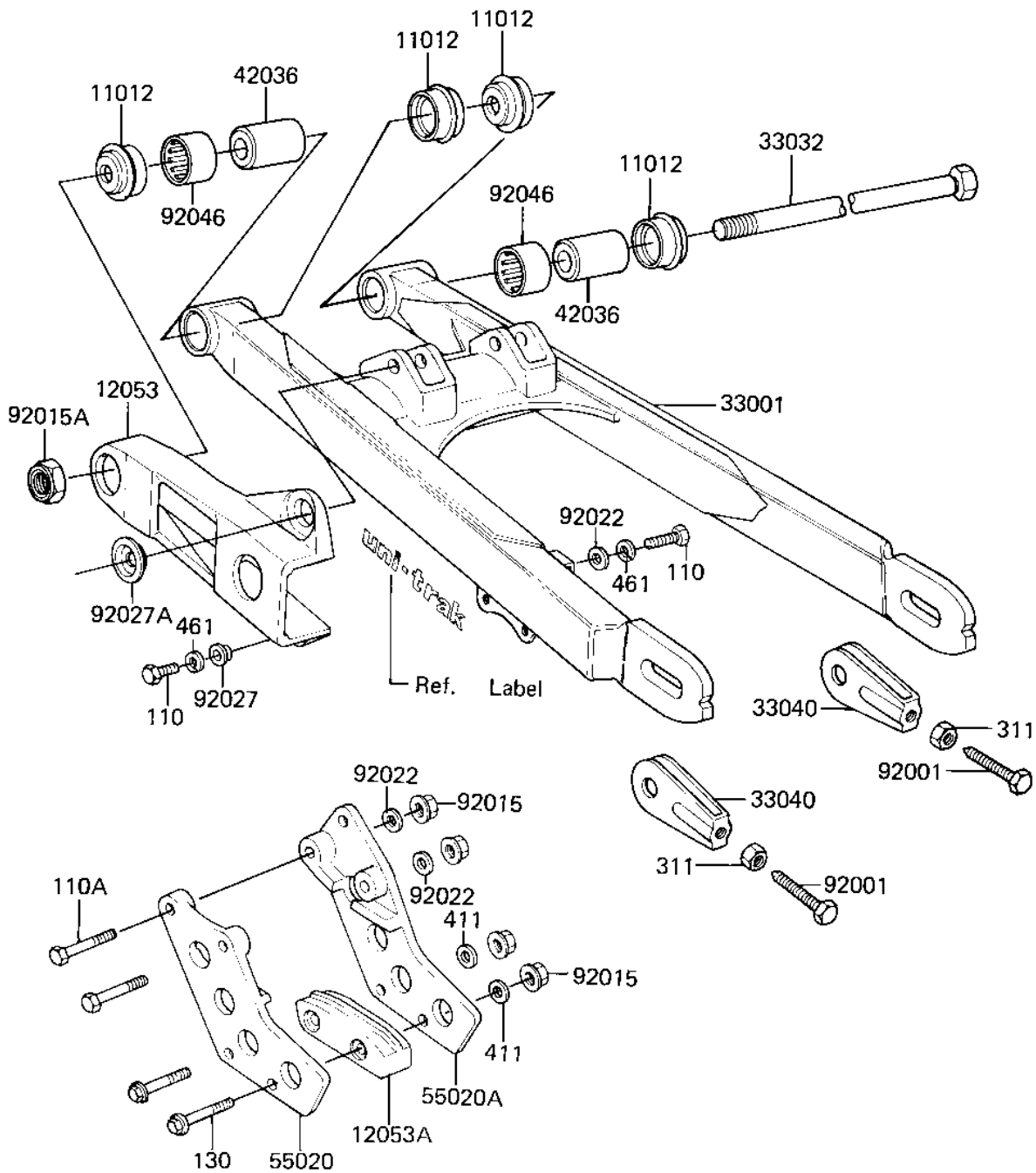


1981 KX™80 PARTS DIAGRAM

SWING ARM ('82 KX80-C2)

F2140-0087



1981 KX™80 PARTS LIST

SWING ARM ('82 KX80-C2)

ITEM NAME	PART NUMBER	QUANTITY
CAP,SWING ARM (Ref # 11012)	11012-1150	1
GUIDE,CHAIN (Ref # 12053)	12053-1053	1
GUIDE,CHAIN (Ref # 12053A)	12053-1057	1
ARM,SWING (Ref # 33001)	33001-1074	1
SHAFT,SWING ARM (Ref # 33032)	33032-1017	1
ADJUSTER,CHAIN (Ref # 33040)	33040-1009	1
SLEEVE,CHAIN GUIDE (Ref # 42036)	42036-1042	1
GUARD,CHAIN (Ref # 55020)	55020-1047	1
GUARD,CHAIN (Ref # 55020A)	55020-1055	1
BOLT,6X38 (Ref # 92001)	92001-1463	1
NUT,LOCK 6MM (Ref # 92015)	92017-014	1
NUT-LOCK,14MM (Ref # 92015A)	92019-011	1
WASHER 6.5X20X1.6T (Ref # 92022)	92022-125	1
COLLAR (Ref # 92027)	92027-1260	1
COLLAR,CHAIN GUIDE (Ref # 92027A)	92027-1332	1
BEARING-NEEDLE (Ref # 92046)	92046-1162	1
BOLT-UPSET,6X16 (Ref # 110)	112G0616	1
BOLT-UPSET (Ref # 110A)	112G0645	1
BOLT,FLANGED,6X40 (Ref # 130)	130B0640	1
NUT 6MM (Ref # 311)	311B0600	1
WASHER PLAIN 6MM (Ref # 411)	411B0600	1
WASHER SPRING 6MM (Ref # 461)	461F0600	1