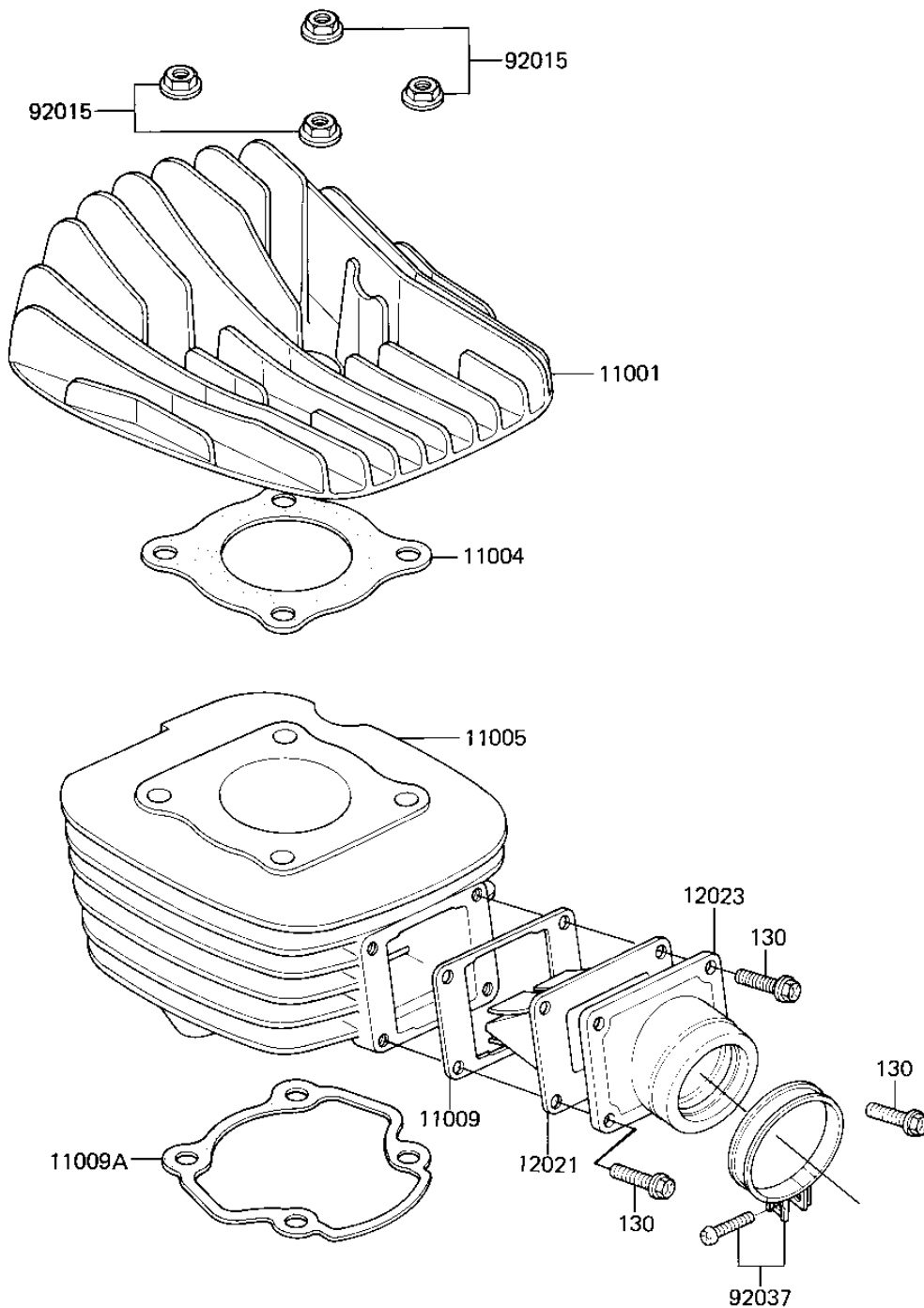


## 1981 KX™80 PARTS DIAGRAM

CYLINDER HEAD/CYLINDER/REED VALVE ('82 K)

E1111-0056



## 1981 KX™80 PARTS LIST

CYLINDER HEAD/CYLINDER/REED VALVE ('82 K)

ITEM NAME	PART NUMBER	QUANTITY
HEAD-CYLINDER (Ref # 11001)	11001-1247	1
GASKET,CYLINDER HEAD (Ref # 11004)	11004-1031	1
CYLINDER-ENGINE,ELECT (Ref # 11005)	11005-1154	1
GASKET,REED VALVE (Ref # 11009)	11009-1109	1
GASKET,CYLINDER BASE (Ref # 11009A)	11009-1257	1
VALVE-ASSY-REED (Ref # 12021)	12021-1013	1
HOLDER-VALVE-REED (Ref # 12023)	12023-1020	1
NUT,8M/M (Ref # 92015)	92015-1014	1
CLAMP (Ref # 92037)	92037-1172	1
BOLT,FLANGED,6X20 (Ref # 130)	130G0620	1