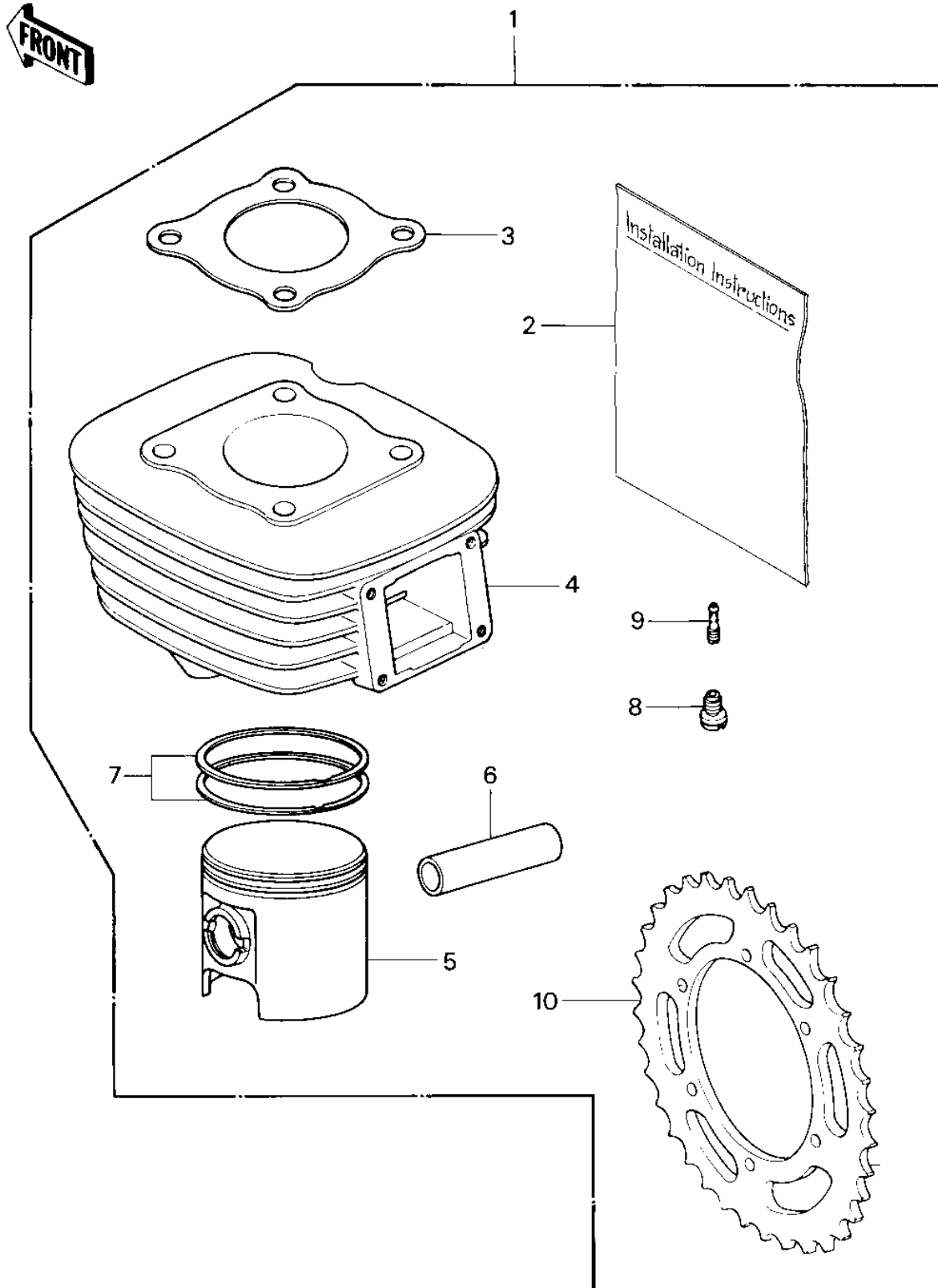


1981 KX™80 PARTS DIAGRAM

OPTIONAL PARTS ('81 KX80-C1)



1981 KX™80 PARTS LIST

OPTIONAL PARTS ('81 KX80-C1)

ITEM NAME	PART NUMBER	QUANTITY
KIT-KX100CC (Ref # 1)	99916-1010	1
INST 100CC KIT (Ref # 2)	99963-0047-01	1
GASKET-HEAD,CYLINDER (Ref # 3)	11004-1045	1
CYLINDER-ENGINE (Ref # 4)	11005-1147	1
PISTON (Ref # 5)	13001-1081	1
PIN-PISTON (Ref # 6)	13002-1018	1
RING-SET-PISTON (Ref # 7)	13008-5041	1
JET-MAIN NO 132.5R (Ref # 8)	92063-103	1
JET-PILOT NO 40 (Ref # 9)	92064-024	1
REAR SPROCKET,48T (Ref # 10)	42041-1016	1