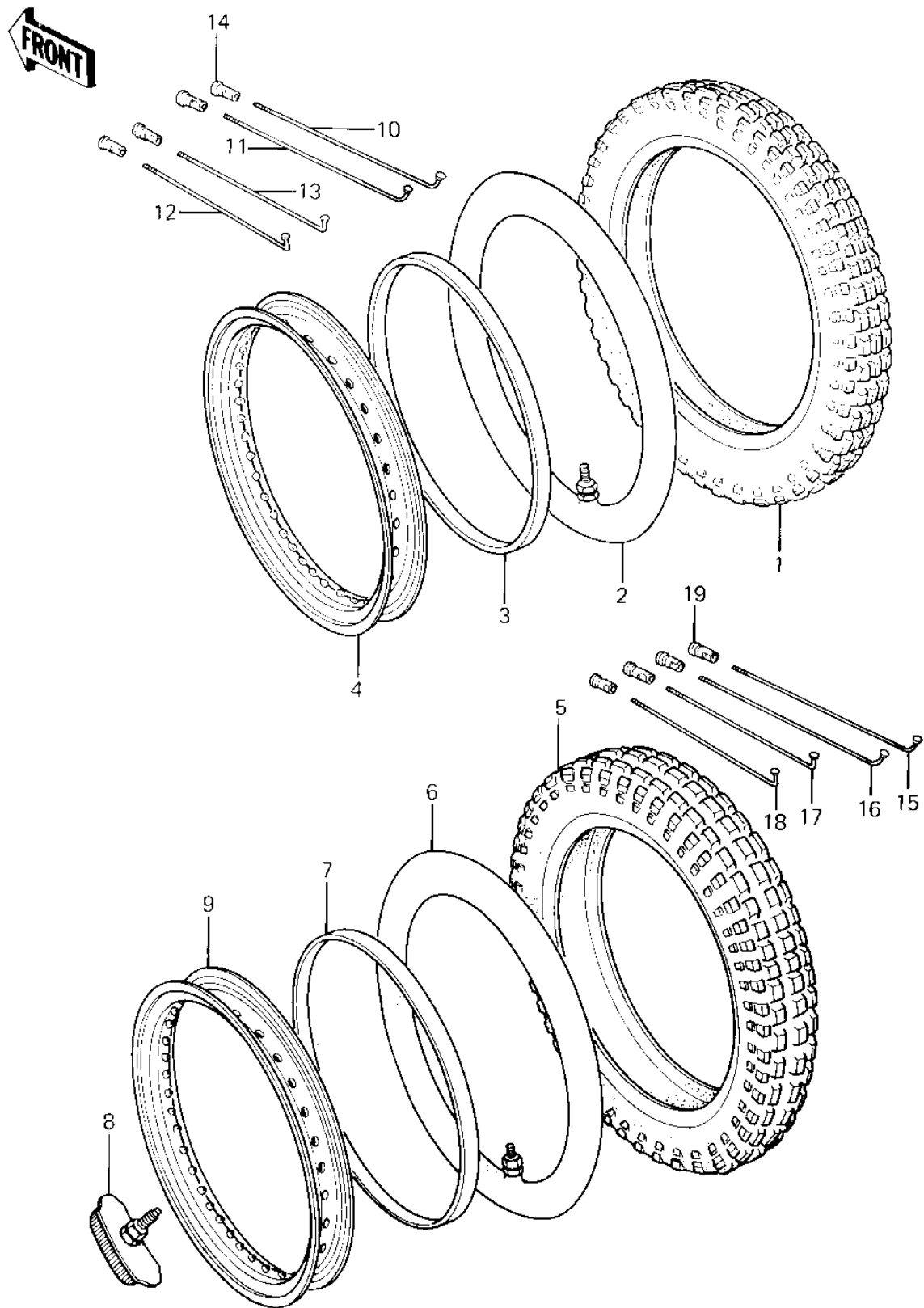


## 1981 KX™80 PARTS DIAGRAM

WHEELS/TIRES ('81 KX80-C1)



## 1981 KX™80 PARTS LIST

WHEELS/TIRES ('81 KX80-C1)

ITEM NAME	PART NUMBER	QUANTITY
TIRE 275-17 K190 F (Ref # 1)	41002-1194	1
TUBE,TIRE,2.75-17 (Ref # 2)	41022-1039	1
BAND-RIM,FR (Ref # 3)	41023-1067	1
RIM,FRONT,1.40X17 (Ref # 4)	41025-1040	1
TIRE,RR (Ref # 5)	41002-1677	1
TUBE 275/410/425-14 (Ref # 6)	41022-042	1
BAND,RIM,4.10-14 (Ref # 7)	41023-1025	1
PROTECTOR,BEAD 1.60A (Ref # 8)	41024-010	1
RIM REAR 1.60X14 (Ref # 9)	41025-1041	1
SPOKE,FRONT,RH (Ref # 10)	41029-1041	1
SPOKE,FRONT,RH (Ref # 11)	41030-1036	1
SPOKE,FRONT INNER,LH (Ref # 12)	41029-1042	1
SPOK,FRONT OUTER,LH (Ref # 13)	41030-1037	1
NIPPLE-SPOKE (Ref # 14)	41032-1057	2
SPOKE,REAR,LH (Ref # 15)	41029-1043	1
SPOKE,REAR,LH (Ref # 16)	41030-1038	1
SPOKE,REAR INNER,RH (Ref # 17)	41029-1044	1
SPOKE,REAR OUTER,RH (Ref # 18)	41030-1039	1