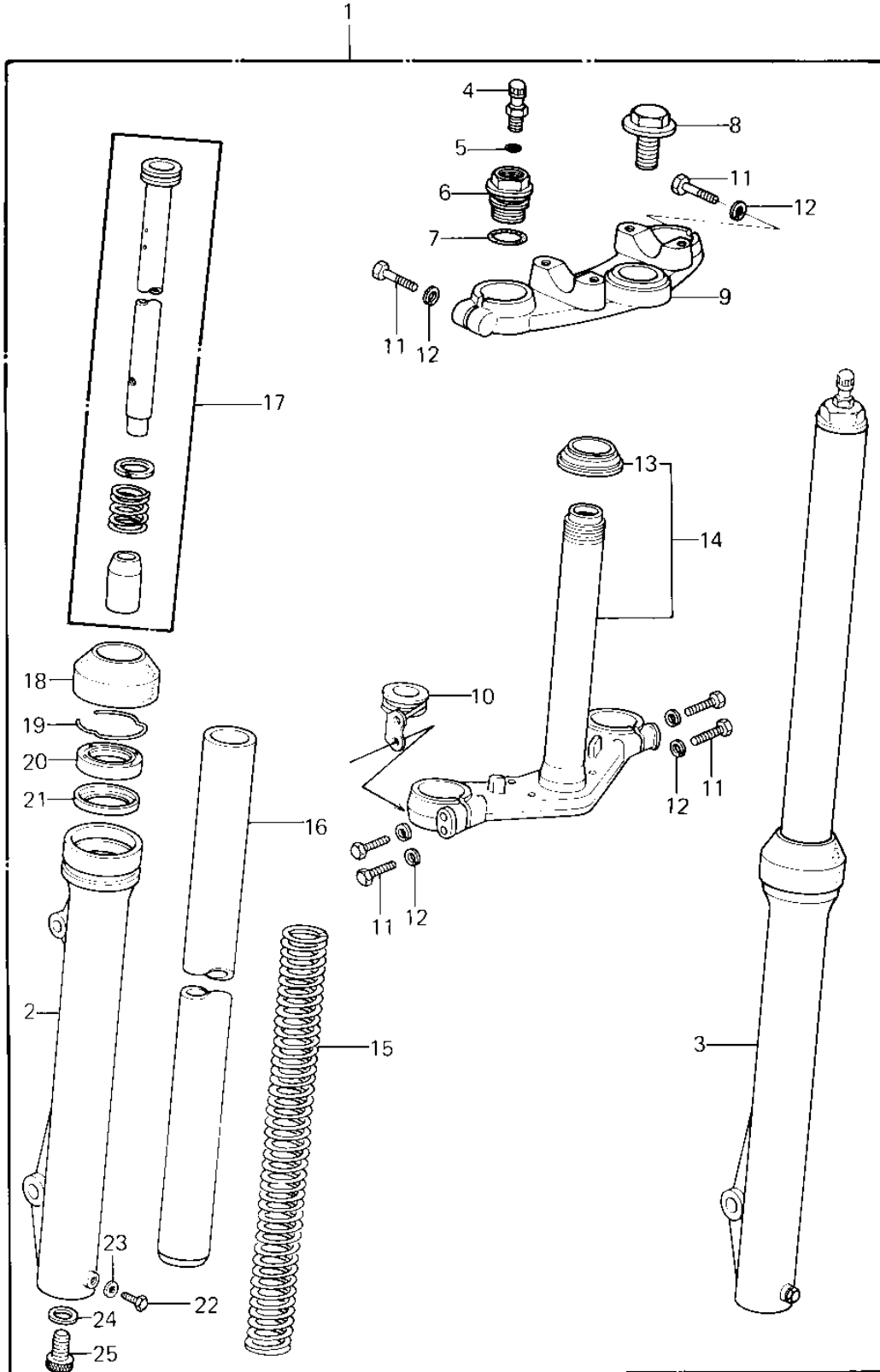


## 1981 KX™80 PARTS DIAGRAM

FRONT FORK



## 1981 KX™80 PARTS LIST

### FRONT FORK

| ITEM NAME                       | PART NUMBER | QUANTITY |
|---------------------------------|-------------|----------|
| FORK-FRONT (Ref # 1)            | 44001-1259  | 1        |
| TUBE,LH,FORK OUTER (Ref # 2)    | 44005-1065  | 1        |
| TUBE,RH,FORK OUTER (Ref # 3)    | 44006-1065  | 1        |
| VALVE ASSY,AIR (Ref # 4)        | 16126-1025  | 1        |
| "O" RING,AIR VALVE (Ref # 5)    | 92055-1018  | 1        |
| BOLT, FORK TOP (Ref # 6)        | 44029-1022  | 1        |
| "O" RING,FORK TOP BOL (Ref # 7) | 92055-1101  | 1        |
| BOLT,STEERING STEM (Ref # 8)    | 92001-1318  | 1        |
| HEAD STEERING STEM (Ref # 9)    | 44039-1041  | 1        |
| CLAMP,CABLE (Ref # 10)          | 92072-1039  | 1        |
| BOLT,HEX HEAD,8X40 (Ref # 11)   | 92001-1063  | 1        |
| WASHER SPRING 8MM (Ref # 12)    | 461F0800    | 1        |
| CONE STERNG BERG LOW (Ref # 13) | 92047-010   | 1        |
| STEM,STEERING (Ref # 14)        | 44037-1037  | 1        |
| SPRING,FORK,INNER (Ref # 15)    | 44026-1096  | 1        |
| TUBE,FORK INNER (Ref # 16)      | 44013-1054  | 1        |
| CYLINDER-FORK (Ref # 17)        | 44022-1050  | 1        |
| DUST SHIELD (Ref # 18)          | 92093-1054  | 1        |
| CIRCLIP (Ref # 19)              | 92033-1062  | 1        |
| OIL SEAL (Ref # 20)             | 92049-1069  | 1        |
| SPACER,FORK OUTER (Ref # 21)    | 92026-1041  | 1        |
| BOLT HEX HEAD 6X8 (Ref # 22)    | 110B0608    | 1        |
| GASKET,DRAIN PLUG (Ref # 23)    | 44045-047   | 1        |
| GASKET,FORK CYL BOLT (Ref # 24) | 44045-051   | 1        |
| BOLT,FORK CYLINDER (Ref # 25)   | 44041-078   | 1        |