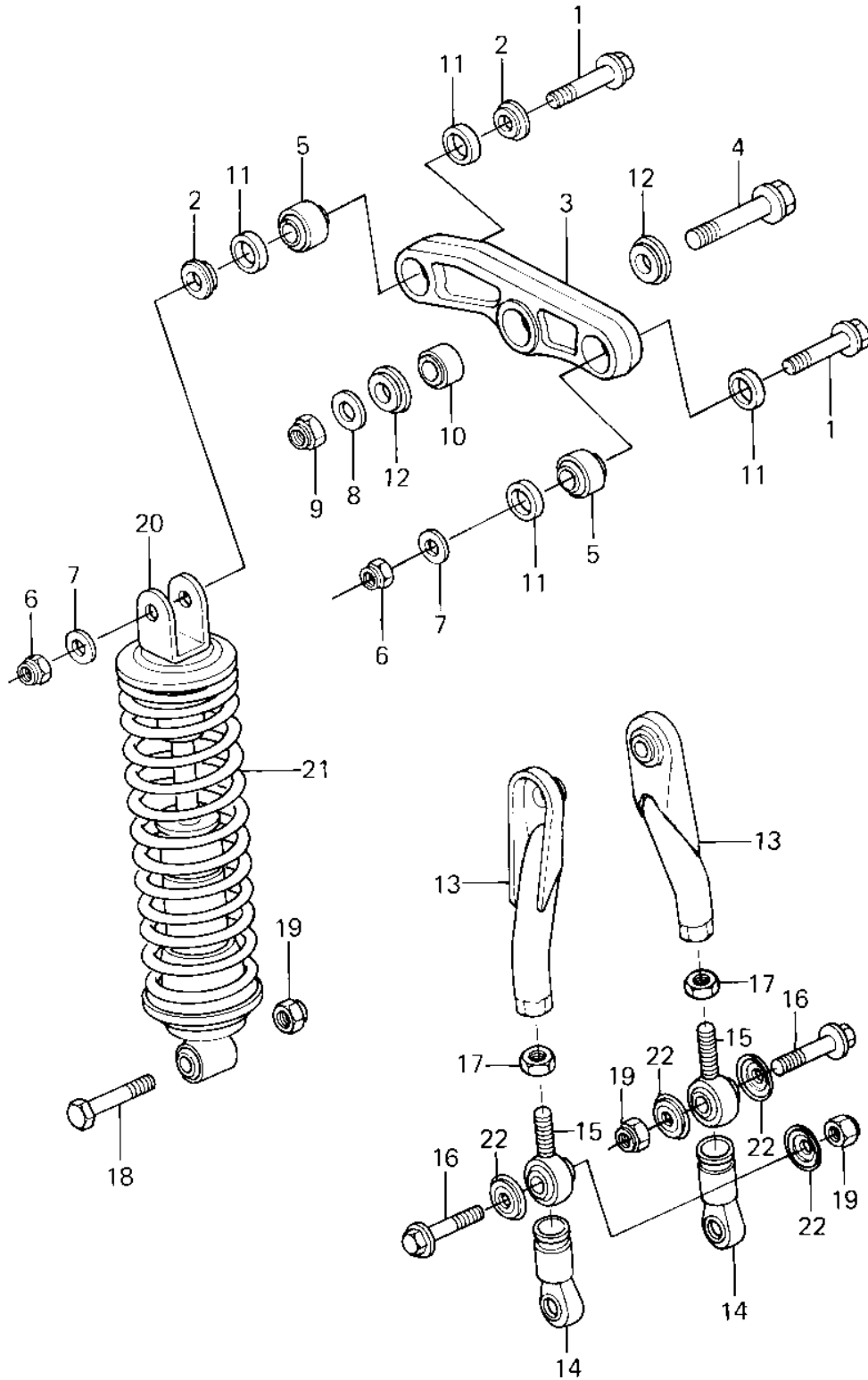


1981 KX™80 PARTS DIAGRAM

REAR SUSPENSION/SHOCK ABSORBER



1981 KX™80 PARTS LIST

REAR SUSPENSION/SHOCK ABSORBER

ITEM NAME	PART NUMBER	QUANTITY
BOLT,12X48 (Ref # 1)	92001-1364	1
COLLAR (Ref # 2)	92027-1304	1
ARM,SUSPENSION (Ref # 3)	39007-1004	1
BOLT,14X56 (Ref # 4)	92001-1363	1
JOINT-BALL (Ref # 5)	59266-1051	1
NUT-LOCK,12MM (Ref # 6)	92019-009	1
WASHER PLAIN 12MM (Ref # 7)	410B1200	1
WASHER PLAIN 14MM (Ref # 8)	410B1400	1
NUT-LOCK,14MM (Ref # 9)	92019-011	2
BUSHING (Ref # 10)	92028-1118	1
SEAL (Ref # 11)	92093-1045	1
CAP,SUSPENSION ARM (Ref # 12)	11012-1117	1
ROD,UNI TRAK (Ref # 13)	46102-1023	1
BOOT,UNITRAK (Ref # 14)	49006-1049	1
JOINT,BALL (Ref # 15)	59266-1005	1
BOLT,10X34 (Ref # 16)	92001-1366	1
NUT 10MM (Ref # 17)	92016-027	1
BOLT,HEX HEAD,10X44 (Ref # 18)	92001-1299	2
NUT,10MM (Ref # 19)	92015-1429	1
SHOCK ABSBR RR (Ref # 20)	45014-1125	1
SPRING,REAR SHOCK STD (Ref # 21)	92081-1350	1
SPRING,RR SHOCK,OPTN (Ref # 21)	92081-1339	1
OIL SEAL,BALL JOINT (Ref # 21)	92049-1072	1