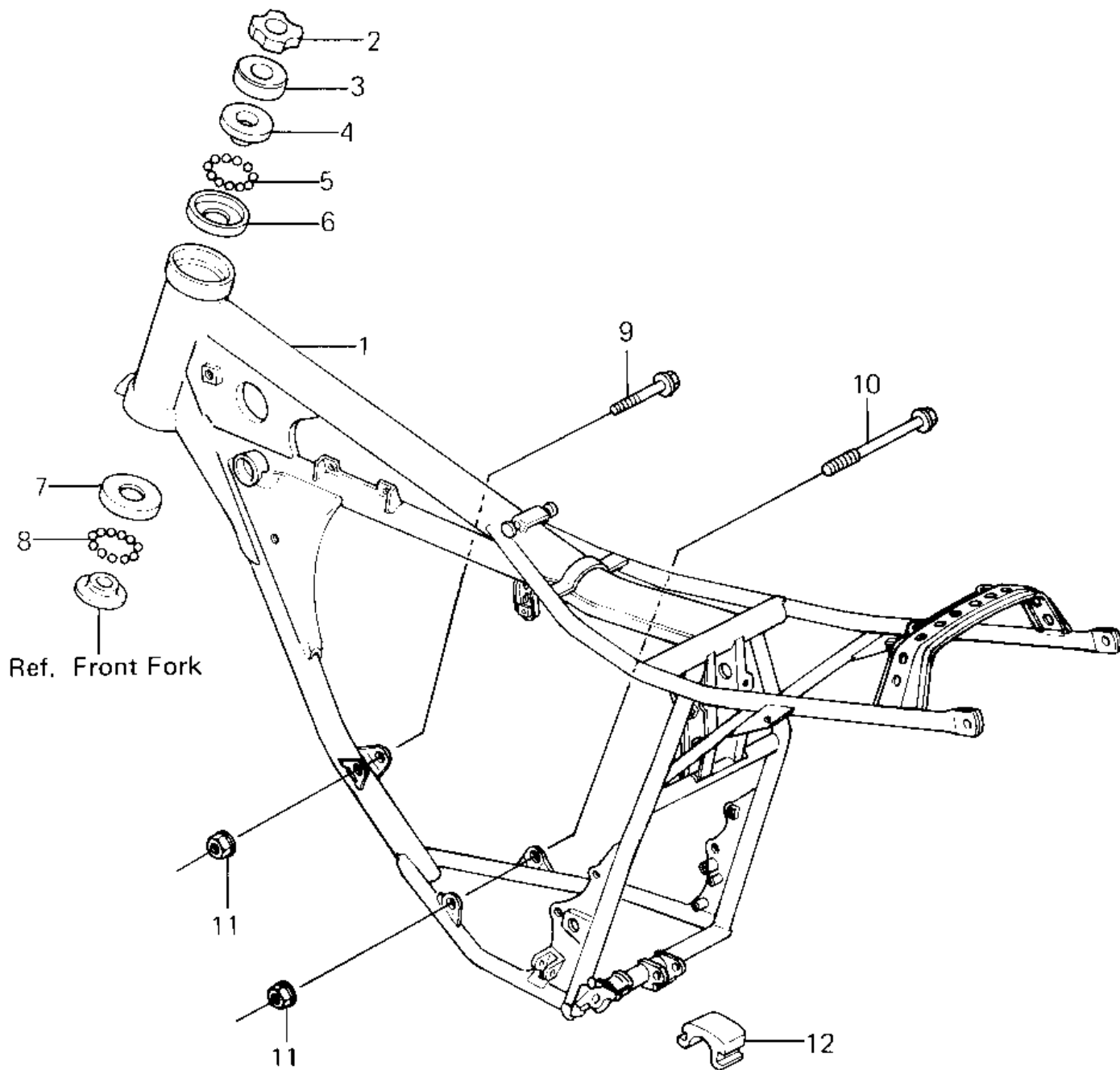


1981 KX™80 PARTS DIAGRAM

FRAME/FRAME FITTINGS ('81 KX80-C1)



1981 KX™80 PARTS LIST

FRAME/FRAME FITTINGS ('81 KX80-C1)

ITEM NAME	PART NUMBER	QUANTITY
FRAME (Ref # 1)	32002-1187	1
NUT,STEERING STEM (Ref # 2)	92090-022	1
CAP,STEERING STEM (Ref # 3)	46098-018	1
CONE,STRG STM BRG,UP (Ref # 4)	92047-014	1
BALL STEEL 3/16' (Ref # 5)	600A0600	1
RACE,STRG STM BEARING (Ref # 6)	92048-009	1
RACE STEERING BEARING (Ref # 7)	92048-005	1
BALL STEEL 1/4' (Ref # 8)	600A0800	1
BOLT 8X60 (Ref # 9)	131G0860	1
BOLT,ENGINE MOUNT (Ref # 10)	92001-1367	1
NUT-8MM (Ref # 11)	92015-1143	1
GUIDE,CHAIN (Ref # 12)	12053-1052	1