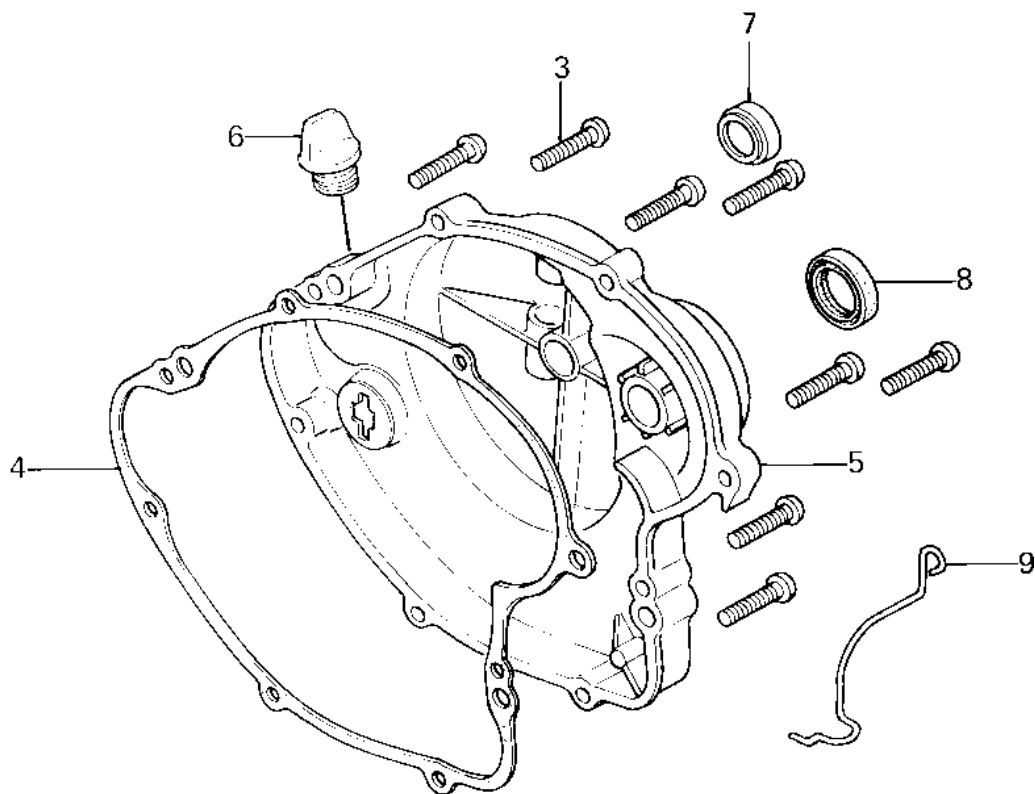
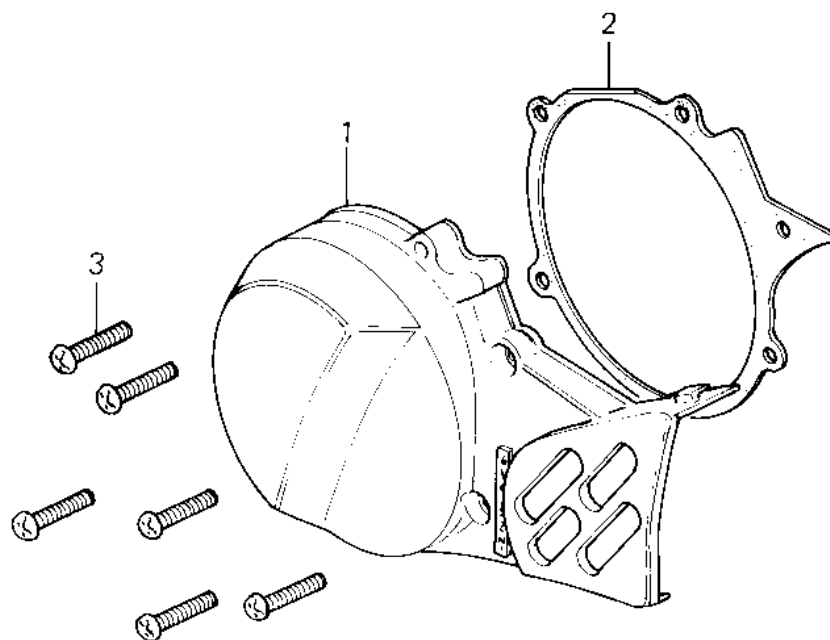


1981 KX™80 PARTS DIAGRAM

ENGINE COVERS ('81 KX80-C1)



1981 KX™80 PARTS LIST

ENGINE COVERS ('81 KX80-C1)

ITEM NAME	PART NUMBER	QUANTITY
COVER-GENERATOR (Ref # 1)	14031-1185	1
GASKET,GENERATOR COVE (Ref # 2)	11009-1974	1
SCREW-PAN-CROS,6X25,B (Ref # 3)	220C0625	1
GASKET,CLUTCH COVER (Ref # 4)	11009-1976	1
COVER-CLUTCH (Ref # 5)	14032-5013	1
FILLER,OIL (Ref # 6)	16115-018	1
GAUGE,OIL LEVEL (Ref # 7)	52005-1005	1
OIL SEAL SB16244 (Ref # 8)	92049-002	1
CLAMP (Ref # 9)	92037-1236	1