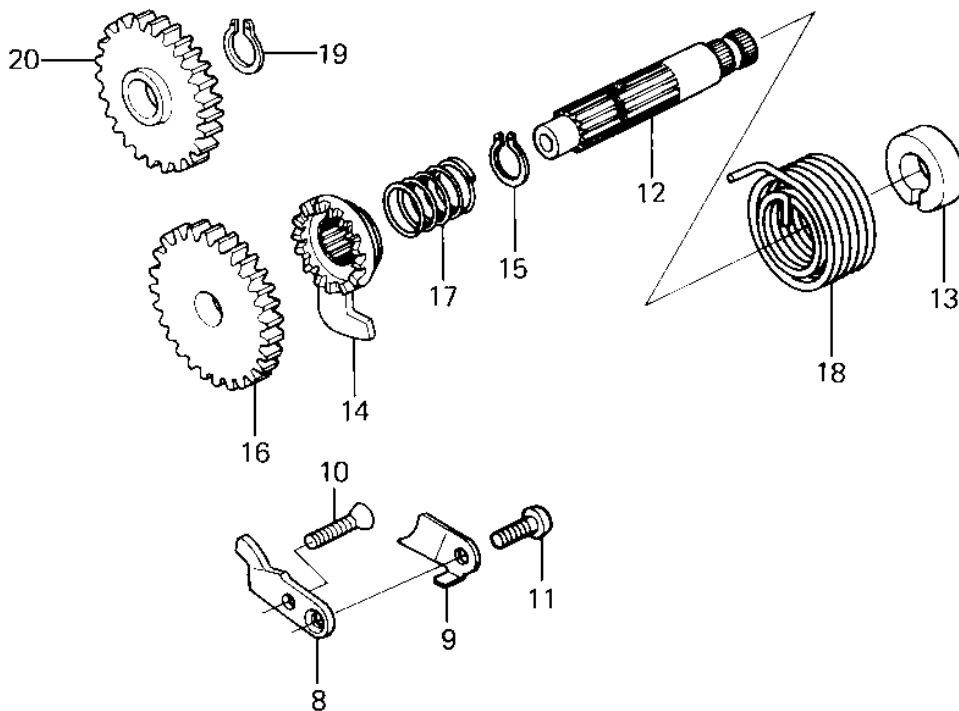
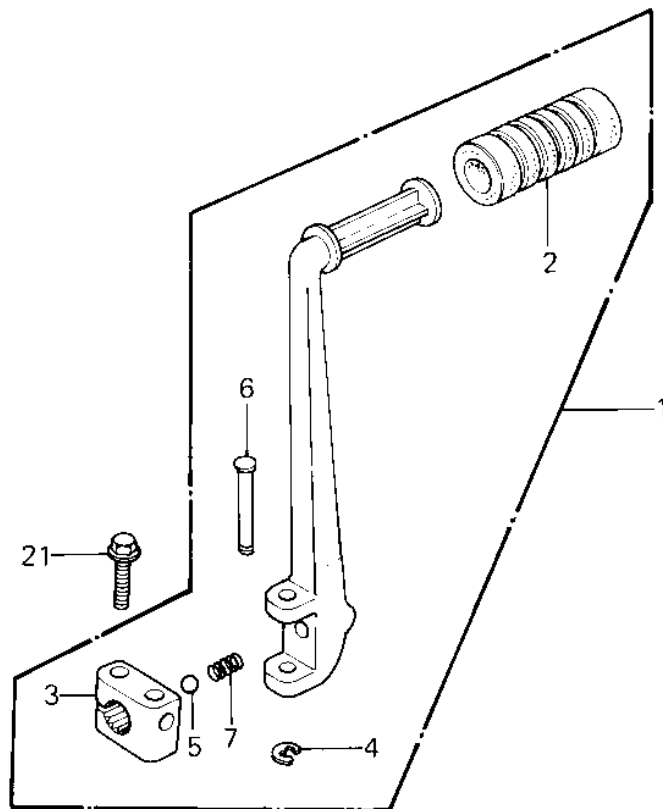


1981 KX™80 PARTS DIAGRAM

KICKSTARTER MECHANISM ('81 KX80-C1)



1981 KX™80 PARTS LIST

KICKSTARTER MECHANISM ('81 KX80-C1)

ITEM NAME	PART NUMBER	QUANTITY
LEVER-ASSY-KICK (Ref # 1)	13064-1034	1
DAMPER RUBB,GEAR CHNG (Ref # 2)	92075-1021	1
BOSS,KICK PEDAL (Ref # 3)	13061-1021	1
CIRCLIP 5MM (Ref # 4)	482K5000	1
BALL STEEL 1/4' (Ref # 5)	600A0800	1
PIN,KICK PEDAL (Ref # 6)	92043-1050	1
SPRING KICK PEDAL (Ref # 7)	92081-020	1
GUIDE,KICK (Ref # 8)	13206-1005	1
GUIDE,KICK SPRING (Ref # 9)	13206-1007	1
SCREW 6X18 (Ref # 10)	221B0618	1
SCREW PAN HEAD 6X18 (Ref # 11)	220B0618	1
SHAFT,KICK (Ref # 12)	13066-1015	1
GUIDE,KICK SPRING (Ref # 13)	13070-1034	1
RATCHET (Ref # 14)	13078-1004	1
CIRCLIP 16MM (Ref # 15)	480J1600	1
GEAR,KICK,32T (Ref # 16)	59051-1026	1
SPRING,RATCHET (Ref # 17)	92081-122	1
SPRING,KICK (Ref # 18)	92081-1274	1
CIRCLIP 15MM (Ref # 19)	480J1500	1
GEAR,IDLE,30T (Ref # 20)	59051-1027	1
BOLT,FLANGED,6X22 (Ref # 21)	92001-1352	1