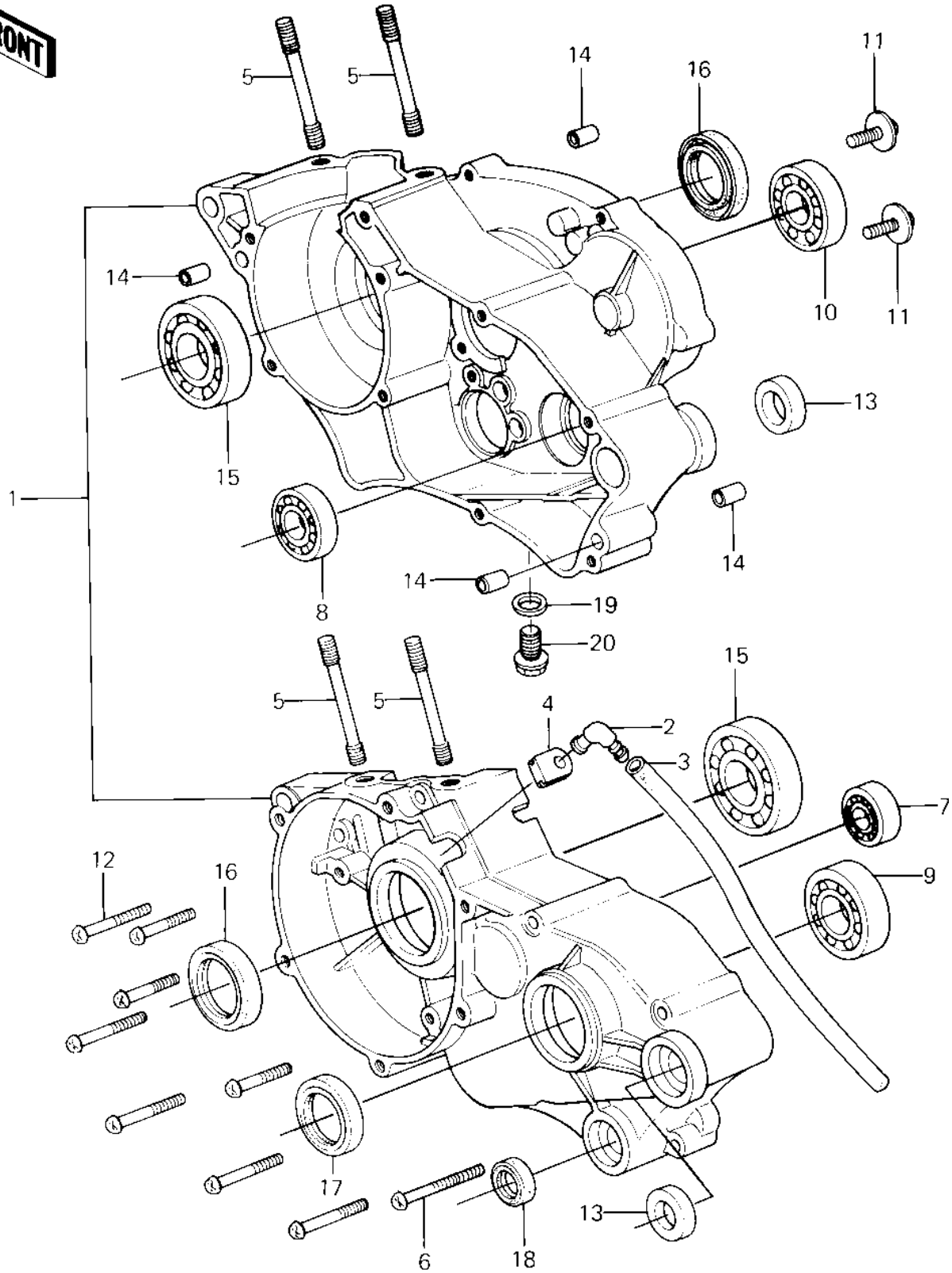


1981 KX™80 PARTS DIAGRAM

CRANKCASE ('81 KX80-C1)



1981 KX™80 PARTS LIST

CRANKCASE ('81 KX80-C1)

ITEM NAME	PART NUMBER	QUANTITY
CRANKCASE SET (Ref # 1)	14001-5075	1
BREATHER ASSY (Ref # 2)	14069-1001	1
TUBE,6X9X750 (Ref # 3)	92059-1372	1
GROMMET (Ref # 4)	92071-042	1
STUD-8X110 (Ref # 5)	172G08110	1
SCREW PAN HEAD 6X60 (Ref # 6)	220B0660	1
BEARING-BALL (Ref # 7)	92045-1235	1
BEARING BALL #6002 (Ref # 8)	601B6002	1
BEARING BALL #6004 (Ref # 9)	601B6004	1
BEARING BALL #6203 (Ref # 10)	601B6203	1
SCREW (Ref # 11)	92009-1103	1
SCREW-PAN-CROS,6X35,B (Ref # 12)	220C0635	1
COLLAR (Ref # 13)	92027-1281	1
PIN-DOWEL (Ref # 14)	92042-007	1
BEARING,BALL (Ref # 15)	92045-1006	1
OIL SEAL,TBJ-20407 (Ref # 16)	92049-1065	1
OIL SEAL SC25376 (Ref # 17)	92050-013	1
OIL SEAL,TB13225.5 (Ref # 18)	92051-005	1
GASKET CHECK VALVE (Ref # 19)	92065-058	1
PLUG (Ref # 20)	92066-1241	1