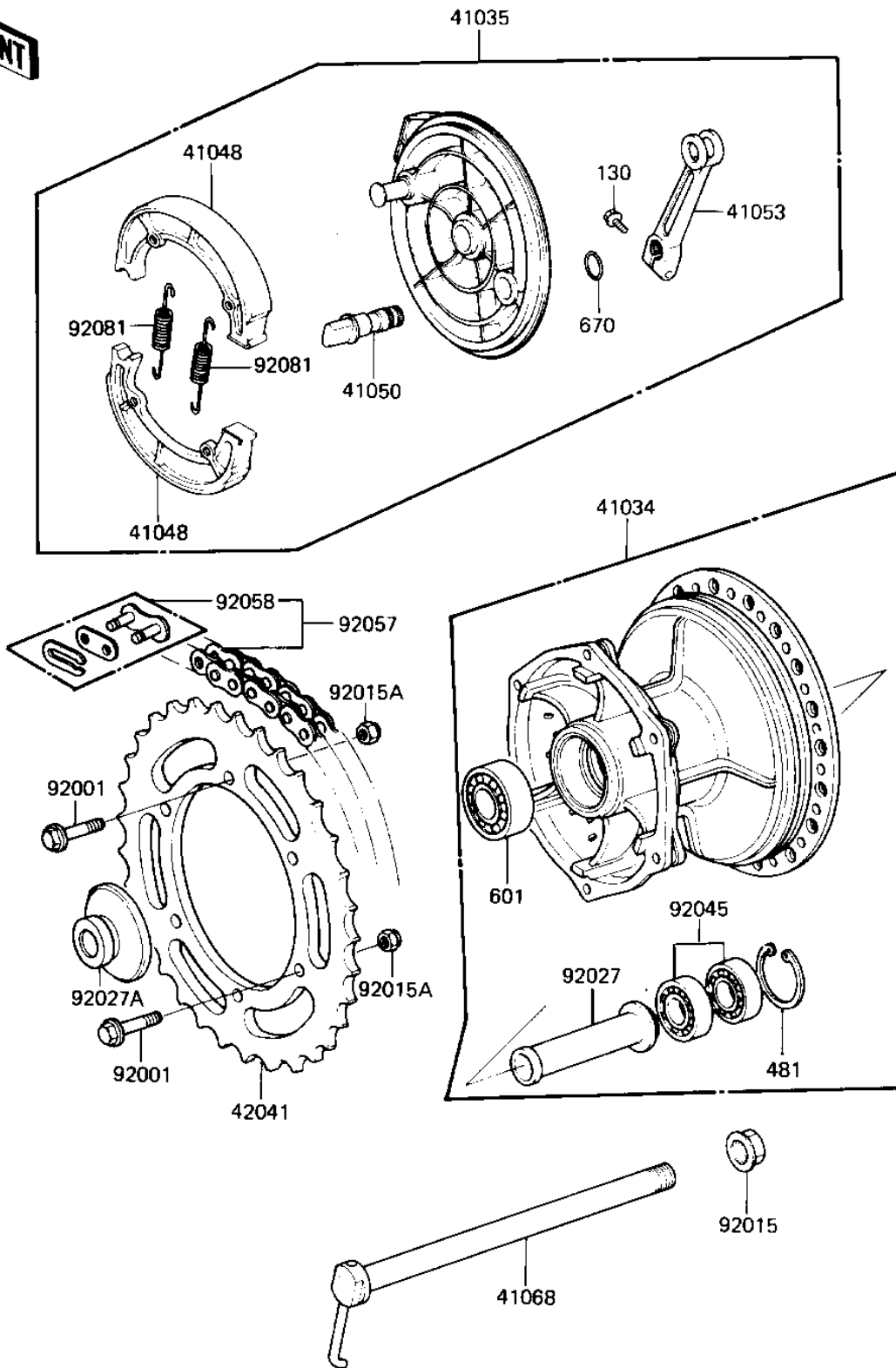


## 1982 KDX™250 PARTS DIAGRAM

REAR HUB/BRAKE/CHAIN ('82 KDX250-B2)

12270002



FRONT
41
41
41
41
41
41
41
42
92
92
92
92
92
92
92
92

## 1982 KDX™250 PARTS LIST

REAR HUB/BRAKE/CHAIN ('82 KDX250-B2)

ITEM NAME	PART NUMBER	QUANTITY
DRUM-ASSY,RR BRK (Ref # 41034)	41034-1019	1
PANEL-ASY,RR BRK (Ref # 41035)	41035-1086	1
SHOE-BRAKE (Ref # 41048)	41048-1018	1
CAME-BRAKE (Ref # 41050)	41050-1018	1
LEVER BRAKE CAM (Ref # 41053)	41053-1022	1
AXLE,REAR (Ref # 41068)	41068-1070	1
REAR,SPROCKET,52T (Ref # 42041)	42041-1008	1
BOLT,HEX HEAD,8X36 (Ref # 92001)	92001-1041	1
NUT,16M/M (Ref # 92015)	92015-1015	1
NUT,8MM (Ref # 92015A)	92015-1134	1
COLLAR,REAR BRAKE (Ref # 92027)	92027-1207	1
COLLAR,REAR AXLE (Ref # 92027A)	92027-1397	1
BEARING-BALL,#6003UC3 (Ref # 92045)	601B6003U	1
CHAIN,520X118TR (Ref # 92057)	92057-1051	1
JOINT-CHAIN (Ref # 92058)	92058-1051	1
SPRING-BRAKE SHOE (Ref # 92081)	42020-004	1
BOLT,FLANGED,6X20 (Ref # 130)	130G0620	1
CIRCLIP,35MM (Ref # 481)	481J3500	1
BEARING,BALL,6204UUC3 (Ref # 601)	601B6204UU	1
"O" RING,15MM (Ref # 670)	670B2015	1