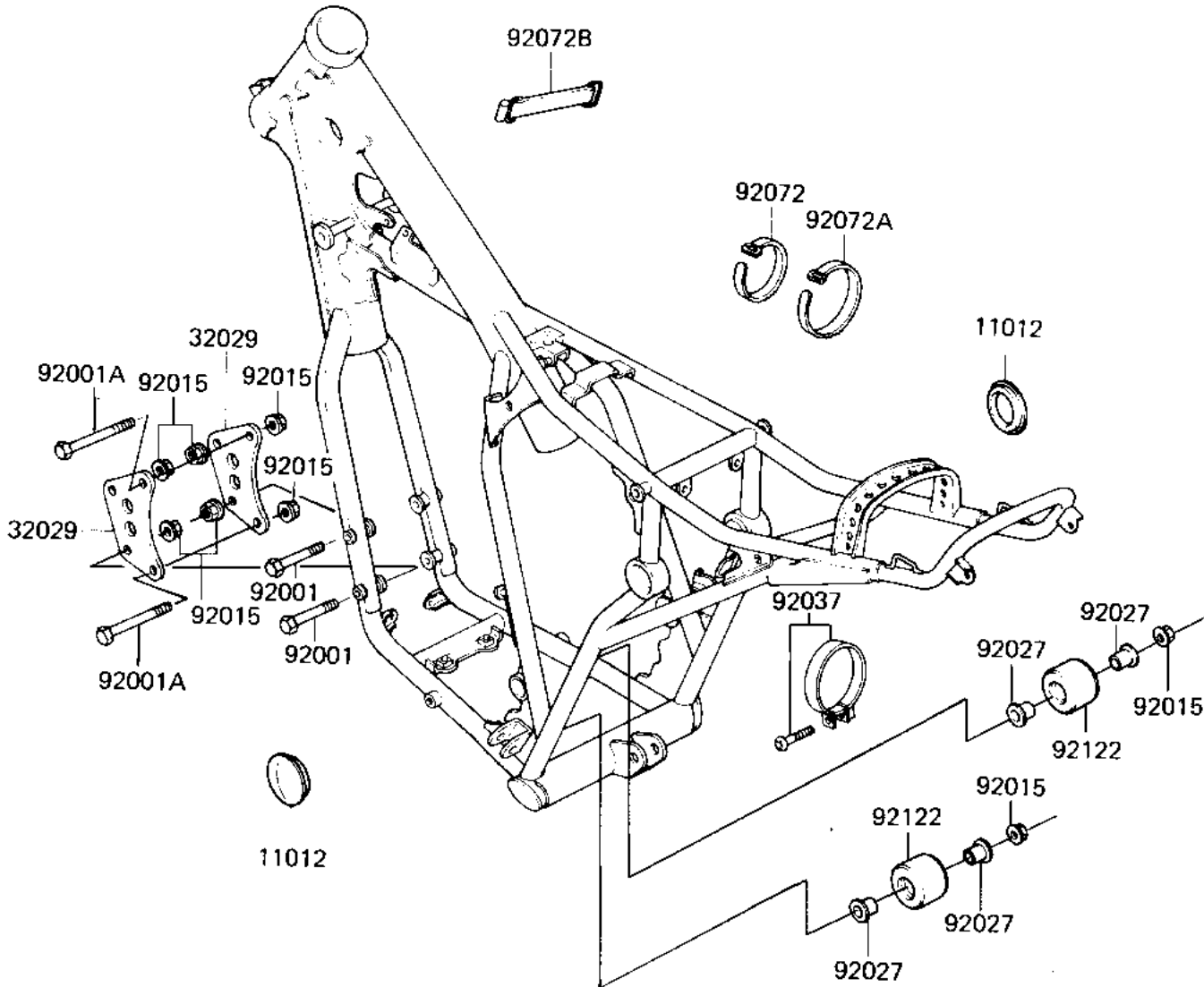


## 1982 KDX™250 PARTS DIAGRAM

FRAME FITTINGS



R  
N  
11  
32  
92  
92  
92  
92  
92  
92  
92  
92

## 1982 KDX™250 PARTS LIST

### FRAME FITTINGS

ITEM NAME	PART NUMBER	QUANTITY
CAP,UNI TRAK (Ref # 11012)	11012-1211	1
BRACKET-ENGINE (Ref # 32029)	32029-1333	1
BOLT,8X57 (Ref # 92001)	92001-1493	1
BOLT,8X72 (Ref # 92001A)	92001-1494	1
NUT-8MM (Ref # 92015)	92015-1143	1
COLLAR,CHAIN GUIDE (Ref # 92027)	92027-1383	1
CLAMP (Ref # 92037)	92037-1172	1
BAND,SHORT (Ref # 92072)	92072-030	1
BAND,WIRING HARNESS (Ref # 92072A)	92072-056	1
BAND,FUEL TANK (Ref # 92072B)	92072-076	1
ROLLER,CHAIN GUIDE (Ref # 92122)	92122-1021	1