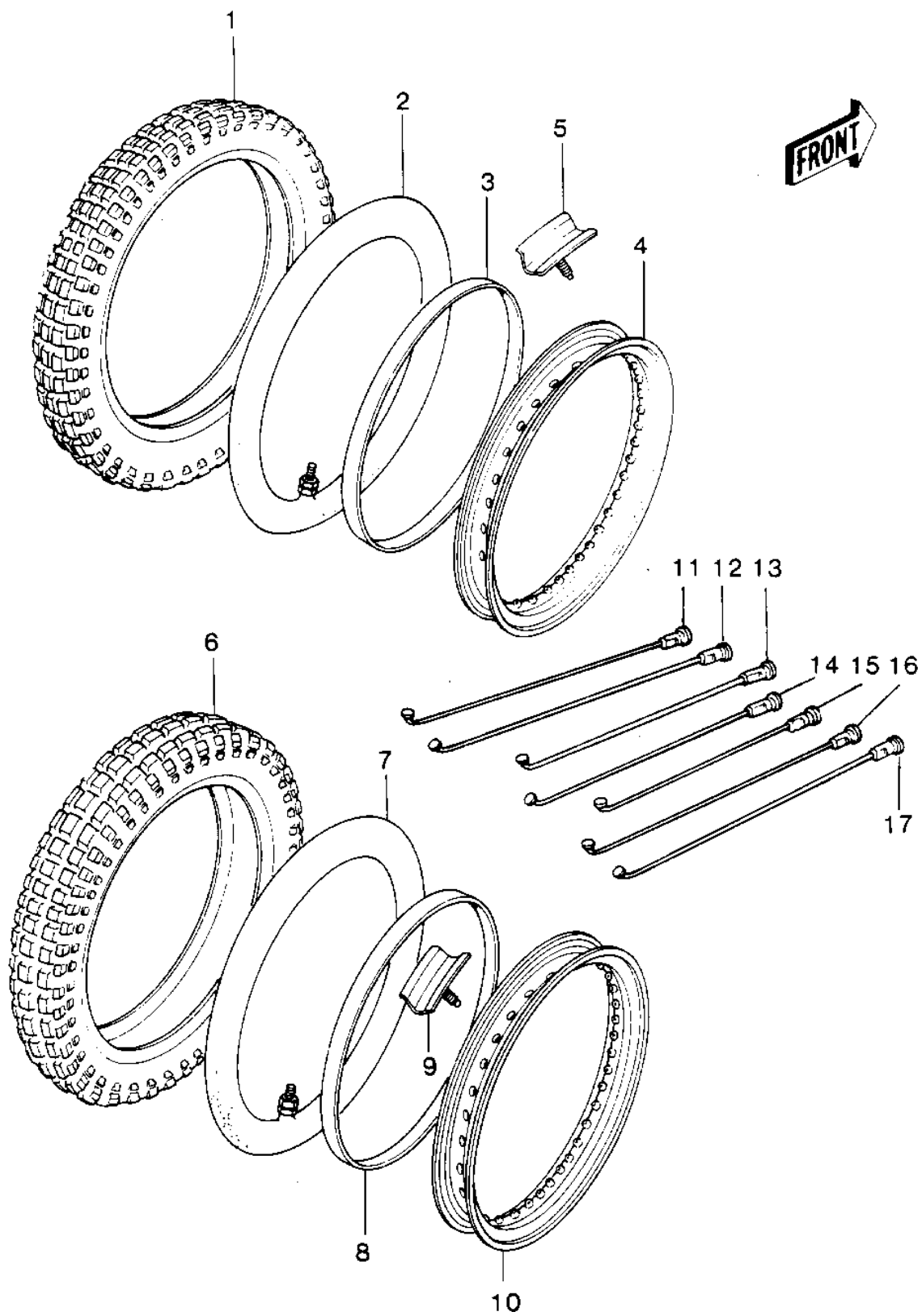


1981 KDX™250 PARTS DIAGRAM

WHEELS/TIRES ('81KDX250-B1)



1981 KDX™250 PARTS LIST

WHEELS/TIRES ('81KDX250-B1)

ITEM NAME	PART NUMBER	QUANTITY
TIRE 300-21 K390 F (Ref # 1)	41002-4011	1
TUBE,2.75/3.70-21 (Ref # 2)	41022-1021	1
BAND,RIM,3.00-21 (Ref # 3)	41023-1001	1
RIM,1.60X21E (Ref # 4)	41025-4003	1
PROTECTOR,BEAD 1.60A (Ref # 5)	41024-010	1
TIRE 510-18 K390 R (Ref # 6)	41002-4012	1
TUBE 450/510-18 (Ref # 7)	41022-4009	1
BAND,RIM,4.00/5.10-18 (Ref # 8)	41023-1006	1
PROTECTORBEAD (Ref # 9)	41024-009	1
RIM,2.50X18E (Ref # 10)	41025-4004	1
SPOKE-ASY,FR INNER LH (Ref # 11)	41027-5013	1
SPOKE-ASY,FR RH (Ref # 12)	41027-5014	1
SPOKE-ASY,FR OUTER LH (Ref # 13)	41028-5012	1
SPOKE-ASY,RR INNER LH (Ref # 14)	41027-5030	1
SPOKE-ASY,RR INNER RH (Ref # 15)	41027-5031	1
SPOKE-ASY,RR OUTER LH (Ref # 16)	41028-5027	1
SPOKE-ASY,RR OUTER RH (Ref # 17)	41028-5028	1