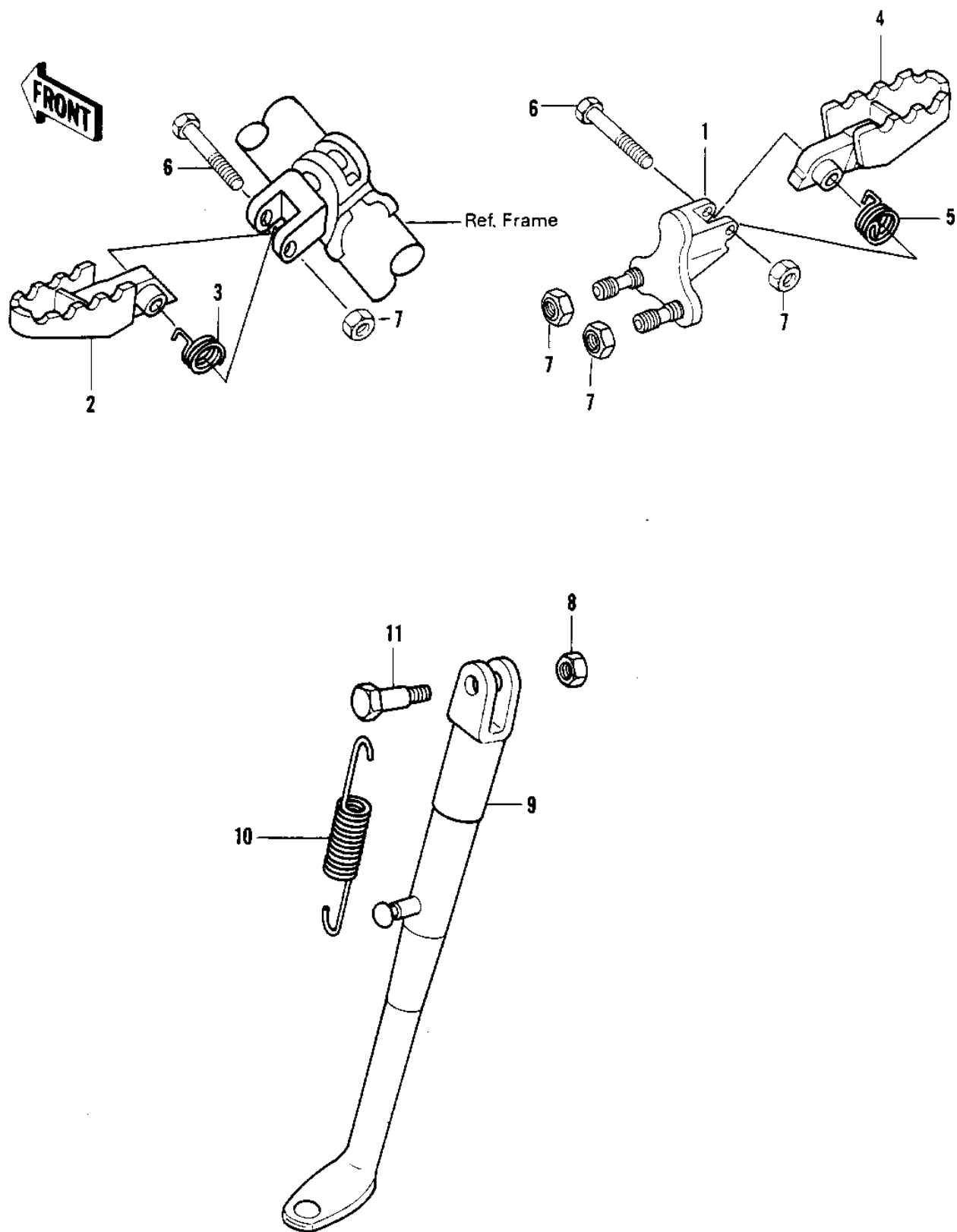


1981 KDX™250 PARTS DIAGRAM

FOOTRESTS/STAND



1981 KDX™250 PARTS LIST

FOOTRESTS/STAND

ITEM NAME	PART NUMBER	QUANTITY
HOLDER-STEP,R.H. (Ref # 1)	34003-4005	1
STEP,FOOTREST,L.H (Ref # 2)	34028-1026	1
SPRING,L.H,FOOTREST (Ref # 3)	92081-1254	1
STEP,FOOTREST,R.H (Ref # 4)	34028-1027	1
SPRING,R.H,FOOTREST (Ref # 5)	92081-1255	1
BOLT,HEX HEAD 10X40 (Ref # 6)	92001-1028	1
NUT,LOCK,10MM (Ref # 7)	92019-021	1
NUT 10MM (Ref # 8)	315B1000	1
STAND-SIDE (Ref # 9)	34024-1041	1
SPRING-SIDE STAND (Ref # 10)	34025-004	1
BOLT, SIDE STAND FIT (Ref # 11)	92003-157	1