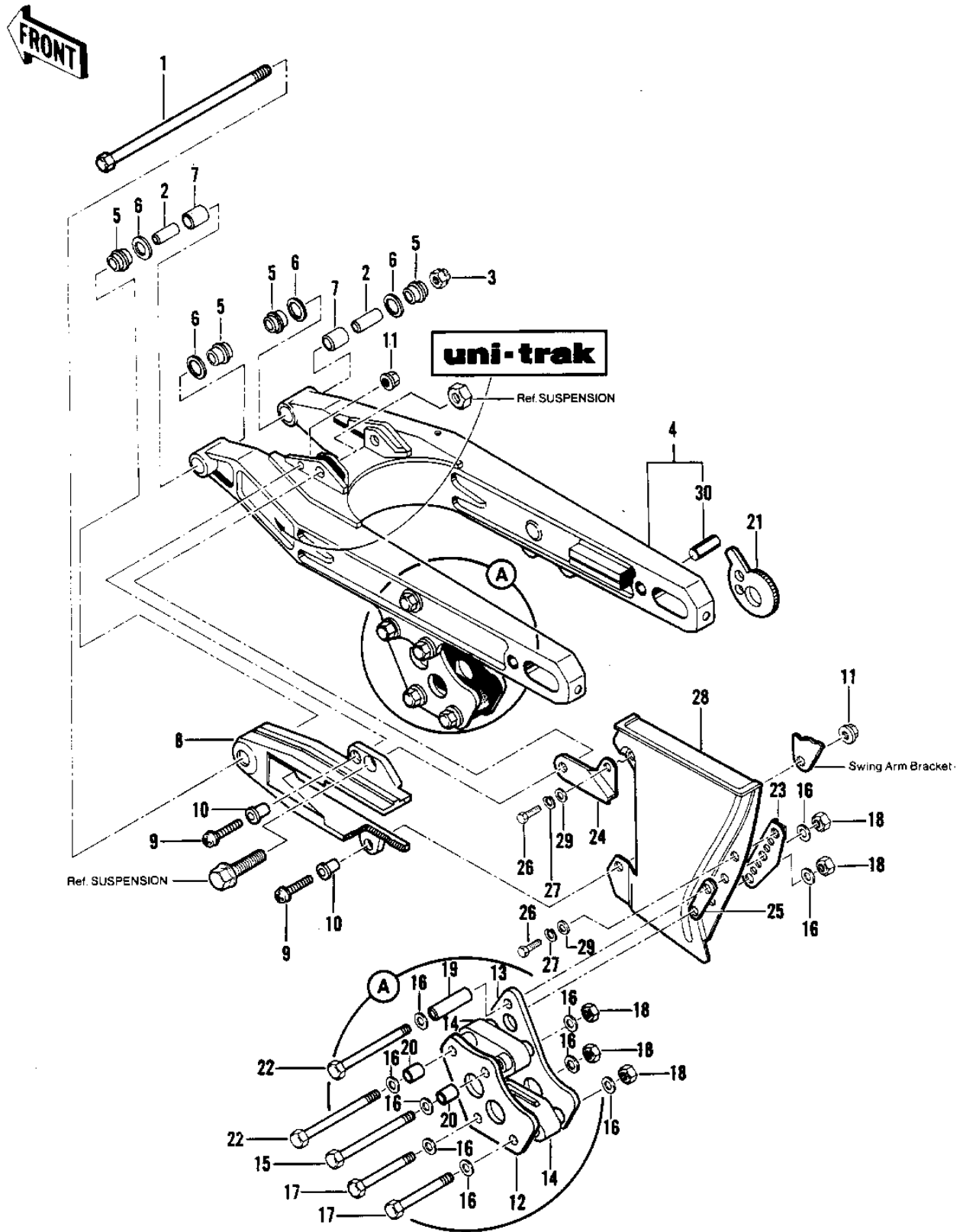


1981 KDX™250 PARTS DIAGRAM

SWING ARM/CHAIN COVER



1981 KDX™250 PARTS LIST

SWING ARM/CHAIN COVER

| ITEM NAME | PART NUMBER | QUANTITY |
|---------------------------------|-------------|----------|
| SHAFT-SWING ARM (Ref # 1) | 33032-1020 | 1 |
| SLEEVE,SWING ARM (Ref # 2) | 42036-1031 | 1 |
| NUT-LOCK,14MM (Ref # 3) | 92019-011 | 1 |
| SWING ARM (Ref # 4) | 33001-1002 | 1 |
| CAP,SWING ARM (Ref # 5) | 11012-1099 | 1 |
| SHIM,SWING ARM (Ref # 6) | 92025-1116 | 1 |
| BUSHING (Ref # 7) | 92028-1072 | 1 |
| GUIDE,CHAIN (Ref # 8) | 12053-4001 | 1 |
| SCREW,6X20 (Ref # 9) | 92009-1289 | 1 |
| COLLAR (Ref # 10) | 92027-1260 | 1 |
| NUT-6MM (Ref # 11) | 92015-1078 | 1 |
| GUARD,CHAIN (Ref # 12) | 55020-4009 | 1 |
| GUARD,CHAIN (Ref # 13) | 55020-4010 | 1 |
| GUIDE,CHAIN (Ref # 14) | 12053-1015 | 1 |
| BOLT-UPSET (Ref # 15) | 112G0660 | 1 |
| WASHER PLAIN 6MM (Ref # 16) | 411B0600 | 1 |
| BOLT-UPSET (Ref # 17) | 112G0645 | 1 |
| NUT (Ref # 18) | 92019-008 | 1 |
| COLLAR (Ref # 19) | 92027-4016 | 1 |
| COLLAR (Ref # 20) | 92027-4017 | 1 |
| ADJUSTER-CHAIN,LH (Ref # 21) | 33040-1060 | 1 |
| BOLT,6X70 (Ref # 22) | 110G0670 | 1 |
| BRACKET,CHAIN CASE,F (Ref # 23) | 11034-1841 | 1 |
| BRACKET,CHAIN CASE (Ref # 24) | 11034-4076 | 1 |
| BRACKET,CHAIN CASE (Ref # 25) | 11034-4077 | 1 |
| BOLT-UPSET 6X14 (Ref # 26) | 112B0614 | 1 |
| WASHER SPRING 6MM (Ref # 27) | 461F0600 | 1 |
| CASE-CHAIN (Ref # 28) | 36014-4005 | 1 |
| WASHER 6.5X20X1.6T (Ref # 29) | 92022-125 | 1 |

1981 KDX™250 PARTS LIST

SWING ARM/CHAIN COVER

| ITEM NAME | PART NUMBER | QUANTITY |
|---------------------------|-------------|----------|
| PIN,DOWEL,8X25 (Ref # 30) | 551A0825 | 1 |