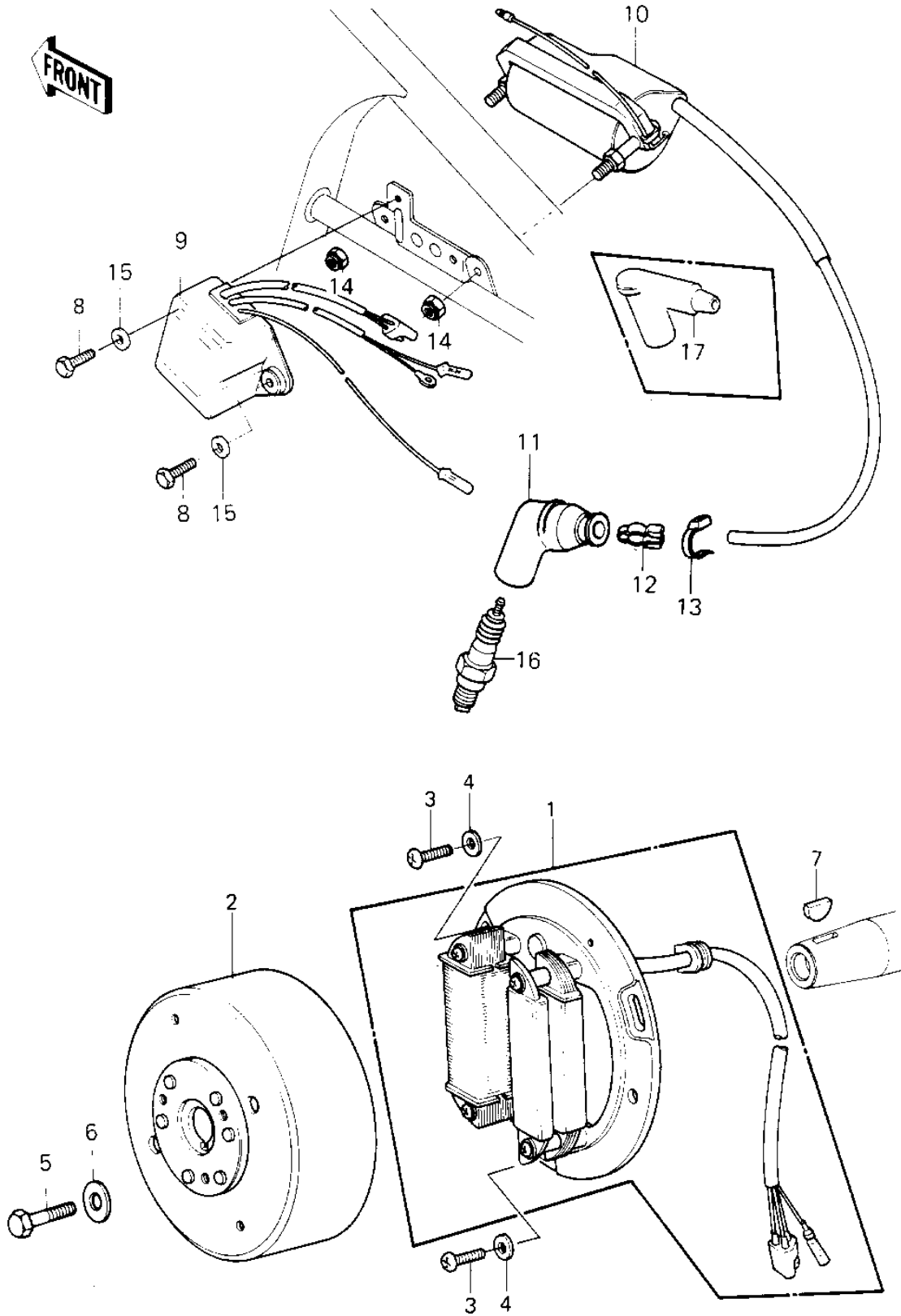


## 1981 KDX™250 PARTS DIAGRAM

IGNITION/GENERATOR



## 1981 KDX™250 PARTS LIST

### IGNITION/GENERATOR

ITEM NAME	PART NUMBER	QUANTITY
STATOR ASSY (Ref # 1)	21003-1036	1
ROTOR (Ref # 2)	21007-1031	1
SCREW PAN HEAD 6X20 (Ref # 3)	220B0620	1
WASHER PLAIN 6MM (Ref # 4)	411B0600	1
BOLT,8X40 (Ref # 5)	115G0840	1
WASHER,PLAIN,8MM (Ref # 6)	92022-276	1
WOODRUFF KEY (Ref # 7)	92038-001	1
BOLT-UPSET (Ref # 8)	112G0618	1
IGNITER (Ref # 9)	21119-1105	1
COIL,IGNITION (Ref # 10)	21121-1050	1
CAP,SPARK PLUG (Ref # 11)	21130-1006	1
TERMINAL,PLUG CAP (Ref # 12)	21169-001	1
CLAMP,SPARK PLUG CAP (Ref # 13)	92037-1173	1
NUT (Ref # 14)	92019-008	1
WASHER PLAIN (Ref # 15)	92022-024	1
SPARK PLUG B8ES (Ref # 16)	B8ES	1
SPARK PLUG BR8ES (Ref # 16)	BR8ES	1
CAP ASSY,SPARK PLUG (Ref # 17)	21160-1009	1