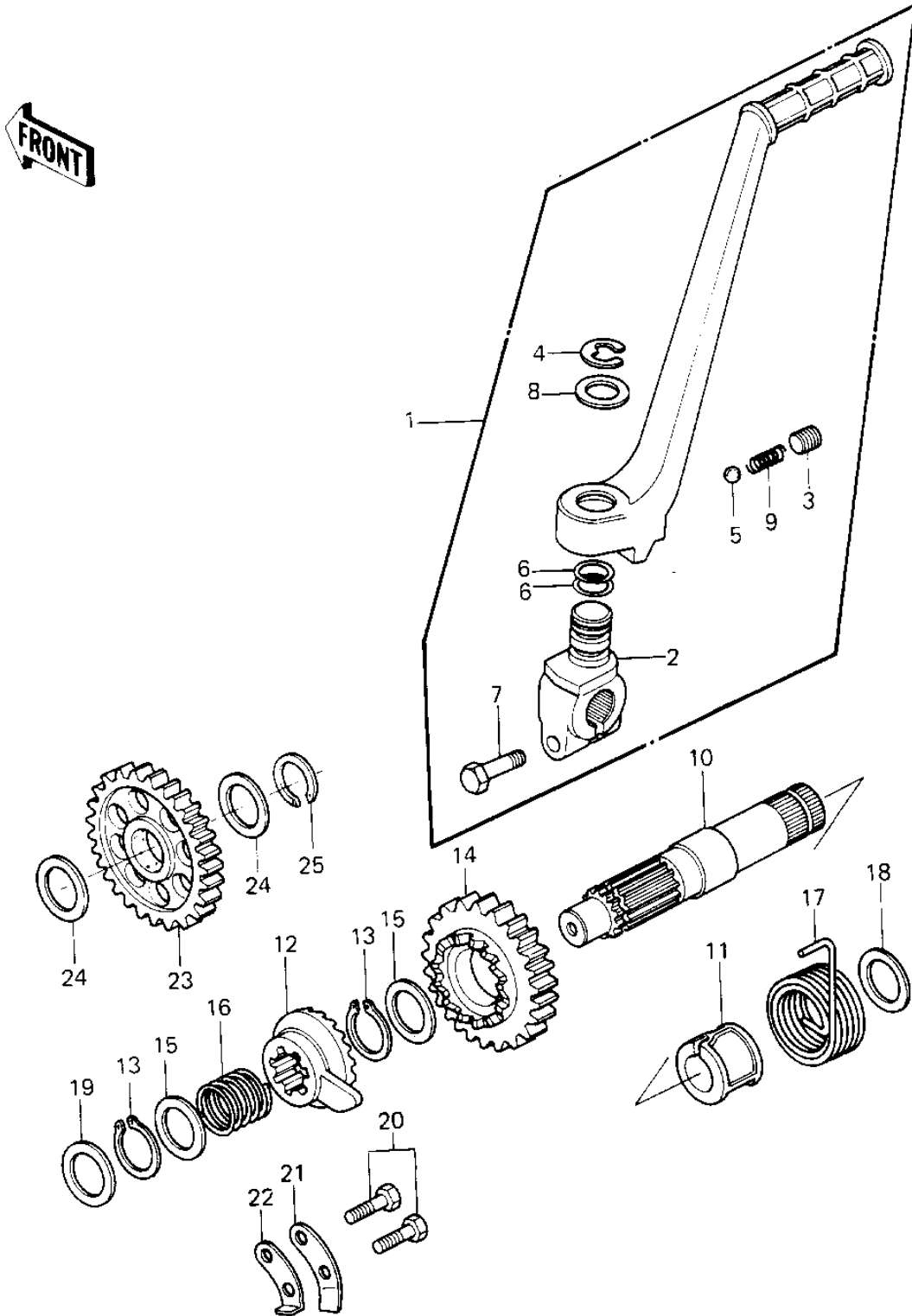


1981 KDX™250 PARTS DIAGRAM

KICKSTARTER MECHANISM ('81KDX250-B1)



1981 KDX™250 PARTS LIST

KICKSTARTER MECHANISM ('81KDX250-B1)

ITEM NAME	PART NUMBER	QUANTITY
LEVER,KICK (Ref # 1)	13064-1033	1
BOSS,KICKSTARTER (Ref # 2)	13061-1007	1
SCREW,8X8 (Ref # 3)	290Q0808	1
CIR CLIP (Ref # 4)	482K0100	1
BALL STEEL 1/4' (Ref # 5)	600A0800	1
"O" RING,15MM (Ref # 6)	670B2015	1
BOLT,HEX HEAD,8X28 (Ref # 7)	92001-1042	1
WASHER,PLAIN (Ref # 8)	92022-1019	1
SPRING KICK PEDAL (Ref # 9)	92081-020	1
SHAFT,KICKSTARTER (Ref # 10)	13066-1014	1
GUID,KICKSTARTER SPRG (Ref # 11)	13070-011	1
RATCHET,KL250-D2 (Ref # 12)	13078-1052	1
CIRCLIP 16MM (Ref # 13)	480J1600	1
GEAR,KICKSTARTER,27T (Ref # 14)	59051-1023	1
WASHER,PLAIN (Ref # 15)	92022-315	1
SPRING,RATCHET (Ref # 16)	92081-122	1
SPRING,KICKSTARTER (Ref # 17)	92081-1253	1
SPACER,17.2X23X0.5 (Ref # 18)	92026-1037	1
WASHER,PLAIN (Ref # 19)	92022-269	1
BOLT-UPSET (Ref # 20)	112G0618	1
GUIDE-KICK (Ref # 21)	13206-1059	1
STOPPER,KICKSTARTER (Ref # 22)	32085-1016	1
IDLE GEAR, KICKSTRTER (Ref # 23)	59051-1022	1
WASHER (Ref # 24)	92022-252	1
CIRCLIP,18MM (Ref # 25)	92033-029	1