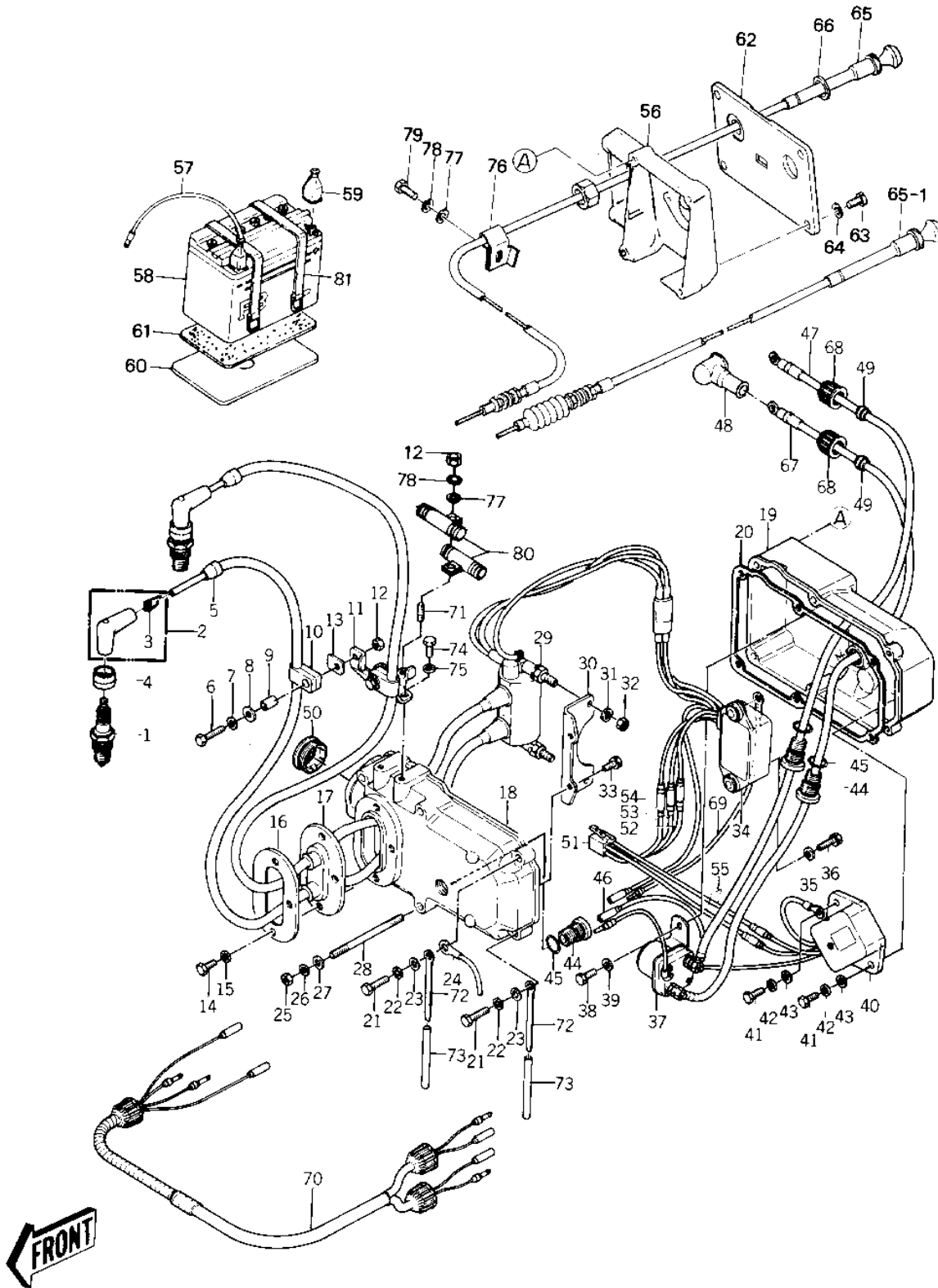


1977 JET SKI® JS440 PARTS DIAGRAM

ELECTRIC CASE ('77-'78 A1/A1A/A2)



1977 JET SKI® JS440 PARTS LIST

ELECTRIC CASE ('77-'78 A1/A1A/A2)

ITEM NAME	PART NUMBER	QUANTITY
SPARK PLUG B7ES (Ref # 1)	B7ES	1
SPARK PLUG BR7ES (Ref # 1)	BR7ES	1
CAP,PLUG (Ref # 2)	21130-504	1
CAP-SPARK PLUG (Ref # 2)	21130-508	1
SPRING,PLUG CAP (Ref # 3)	92081-542	1
COVER,PLUG (Ref # 4)	92071-501	1
GROMMET,SPARK PLUG (Ref # 4)	92071-535	1
GROMMET (Ref # 5)	92071-517	2
UNAVAILABLE IN PRICE BOOK (Ref # 6)	110R06030	1
WASHER (Ref # 7)	411S0600	3
WASHER (Ref # 8)	92022-553	2
COLLAR (Ref # 9)	92027-519	1
CLAMP (Ref # 10)	92037-523	1
BRACKET,CLAMP (Ref # 11)	59016-514	1
BRACKET,CLAMP (Ref # 11)	11034-3005	1
NUT,6M/M (Ref # 12)	311R0600	4
BOLT 6X14 (Ref # 14)	110R0614	2
WASHER-SPRING,6MM (Ref # 15)	461S0600	5
PLATE-ELECTRICAL CASE (Ref # 16)	59086-516	1
GROMMET (Ref # 17)	92071-526	1
CASE,ELECTRIC (1) (Ref # 18)	59021-531	1
CASE,ELECTRIC (Ref # 18)	59416-3001	1
CASE,ELECTRIC (2) (Ref # 19)	59021-532	1
GASKET,CASE (Ref # 20)	11009-3024	1
BOLT,HEX HEAD,6X25 (Ref # 21)	110R0625	1
WASHER (Ref # 23)	410S0600	1
WIRE,EARTH (Ref # 24)	26011-505	1
STUD,6X98 (Ref # 28)	92004-3007	1
COIL,IGNITION (Ref # 29)	21121-518	2

1977 JET SKI® JS440 PARTS LIST

ELECTRIC CASE ('77-'78 A1/A1A/A2)

ITEM NAME	PART NUMBER	QUANTITY
BRACKET, COIL (Ref # 30)	59016-521	1
WASHER SPRING 6MM (Ref # 31)	461F0600	2
NUT 6MM (Ref # 32)	311B0600	1
BOLT-UPSET-WS, 6X14 (Ref # 33)	180B0614	1
IGNITER (Ref # 34)	21119-3004	2
WASHER, IGNITER (Ref # 35)	92022-3013	2
BOLT-UPSET-WS, 6X22 (Ref # 36)	180B0622	1
SWITCH, MAGNETIC (Ref # 37)	21164-515	1
BOLT SMALL (Ref # 38)	114G0812	1
WASHER SPRING 5MM (Ref # 39)	461F0500	1
REGULATOR (Ref # 40)	21066-501	1
BOLT-UPSET 6X14 (Ref # 41)	112B0614	1
WASHER PLAIN 6MM (Ref # 43)	410B0600	1
JOINT-STATOR WIRE (Ref # 44)	59071-516	1
"O" RING, 16MM (Ref # 45)	670B2016	1
WIRE, LEAD (Ref # 46)	26011-516	1
WIRE, BATTERY (Ref # 47)	26011-511	2
WIRE, LEAD, BATTERY (Ref # 47)	26011-3002	1
CAP, STARTER (Ref # 48)	59176-506	1
GROMMET (Ref # 49)	92071-527	1
JOINT (Ref # 50)	59071-517	1
CONNECTOR, CORD (Ref # 51)	59221-505	1
WIRE, LEAD (Ref # 52)	26011-513	1
WIRE, LEAD (Ref # 53)	26011-514	1
WIRE, LEAD (Ref # 54)	26011-515	1
WIRE, LEAD (Ref # 55)	26011-512	1
CASE, FUEL TAP (Ref # 56)	32099-3752	1
WIRE, BATTERY EARTH (Ref # 57)	26011-501	1
FB BAT 12N16-3B (Ref # 58)	26012-1013	2

1977 JET SKI® JS440 PARTS LIST

ELECTRIC CASE ('77-'78 A1/A1A/A2)

ITEM NAME	PART NUMBER	QUANTITY
CAP-BATTERY TERMINAL (Ref # 59)	59176-501	1
PLATE-BATTERY (Ref # 60)	59086-520	1
CUSHION,BATTERY (Ref # 61)	92075-509	1
PANEL-CONTROL (Ref # 62)	59226-3702	1
SCREW,8X22 (Ref # 63)	213R0822	1
SCREW,OVL CNTSNK,8X22 (Ref # 63)	222R0822	1
WASHER (Ref # 64)	92095-511	1
CABLE,CHOKE (Ref # 65)	59401-3001	3
GASKET (Ref # 66)	92065-538	1
WIRE,LEAD,STARTER (Ref # 67)	26011-519	1
CAP (Ref # 68)	11012-3012	1
WIRE,LEAD,STOP SW GRO (Ref # 69)	26011-517	1
HARNESS,SWITCH (Ref # 70)	26001-3005	1
STUD,6X20 (Ref # 71)	171R0620	1
CLAMP,L=100 (Ref # 72)	92037-3736	1
TUBE,VINYL,5X73 (Ref # 73)	92059-3017	1
CLAMP,CHOKE CABLE (Ref # 76)	92037-544	1
BOLT 6X12 (Ref # 79)	110R0612	1
CASE,CONNECTOR (Ref # 80)	32099-3002	1
BAND,BATTERY (Ref # 81)	92072-512	1