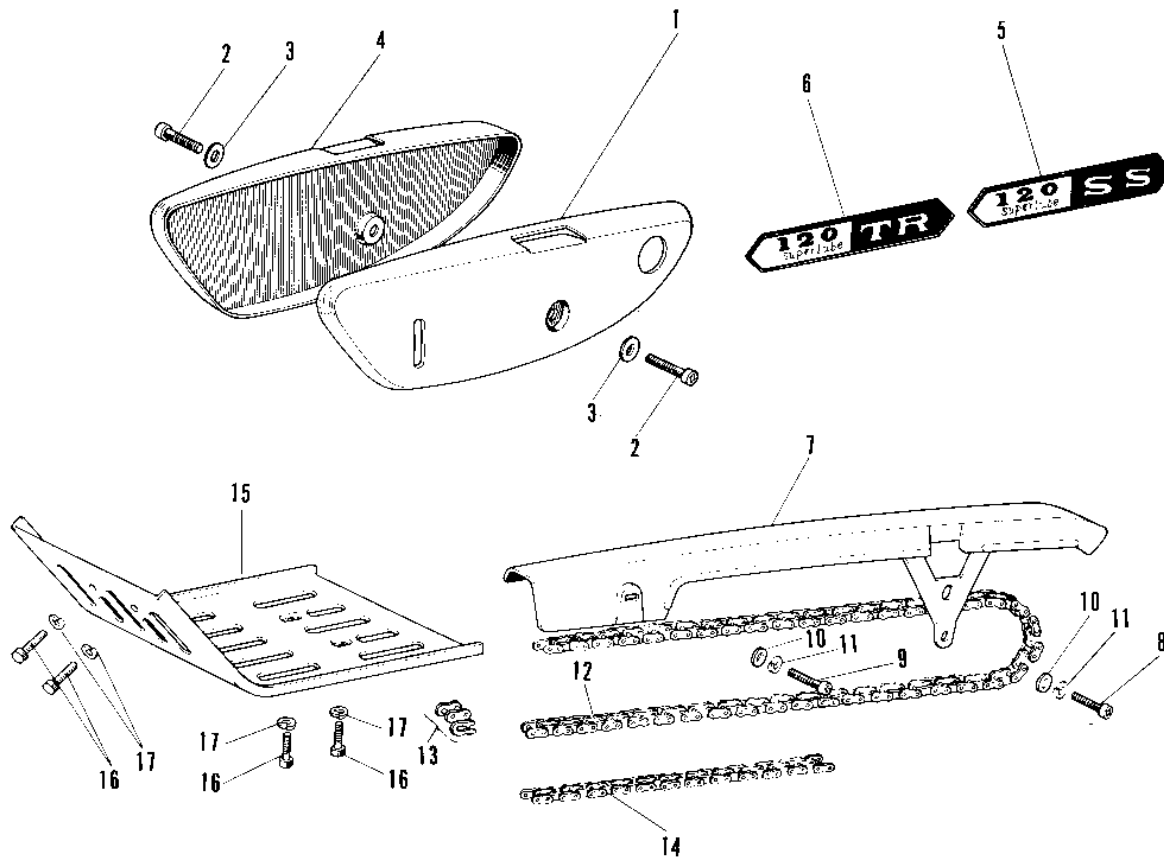


## 1967 C2SS PARTS DIAGRAM

SIDE COVERS/CHAIN COVER/CHAIN

Rc

—



## 1967 C2SS PARTS LIST

SIDE COVERS/CHAIN COVER/CHAIN

ITEM NAME	PART NUMBER	QUANTITY
COVER-L.H SIDE,SILVER (Ref # 1)	36001-012-14	1
COVER L.H SIDE C.RED (Ref # 1)	36001-012-24	1
COVER L.H SIDE C.BLUE (Ref # 1)	36001-012-27	1
SCREW PAN HEAD 6X12 (Ref # 2)	220E0612	1
WASHER PLAIN 6MM (Ref # 3)	410B0600	1
COVER,RH SIDE,C.BLUE (Ref # 4)	36007-013-27	3
EMBLEM SIDE COVER (Ref # 5)	56018-003	1
COVER CHAIN (Ref # 7)	36014-012	1
SCREW PAN HEAD 5X10 (Ref # 8)	220B0510	2
SCREW PAN HEAD 5X8 (Ref # 9)	220B0508	2
WASHER PLAIN 5MM (Ref # 10)	410B0500	1
WASHER SPRING 5MM (Ref # 11)	461F0500	1
DR CHAIN 428X102 (Ref # 12, 13)	92057-035	1
DR CHAIN 428X106 (Ref # 12, 13)	92057-036	1
JOINT-CHAIN (Ref # 13)	92058-1014	1
GUARD ENGINE (Ref # 15)	55011-003	1
BOLT-SMALL-UPSET,8X14 (Ref # 16)	115B0814	1
WASHER SPRING 8MM (Ref # 17)	461F0800	1