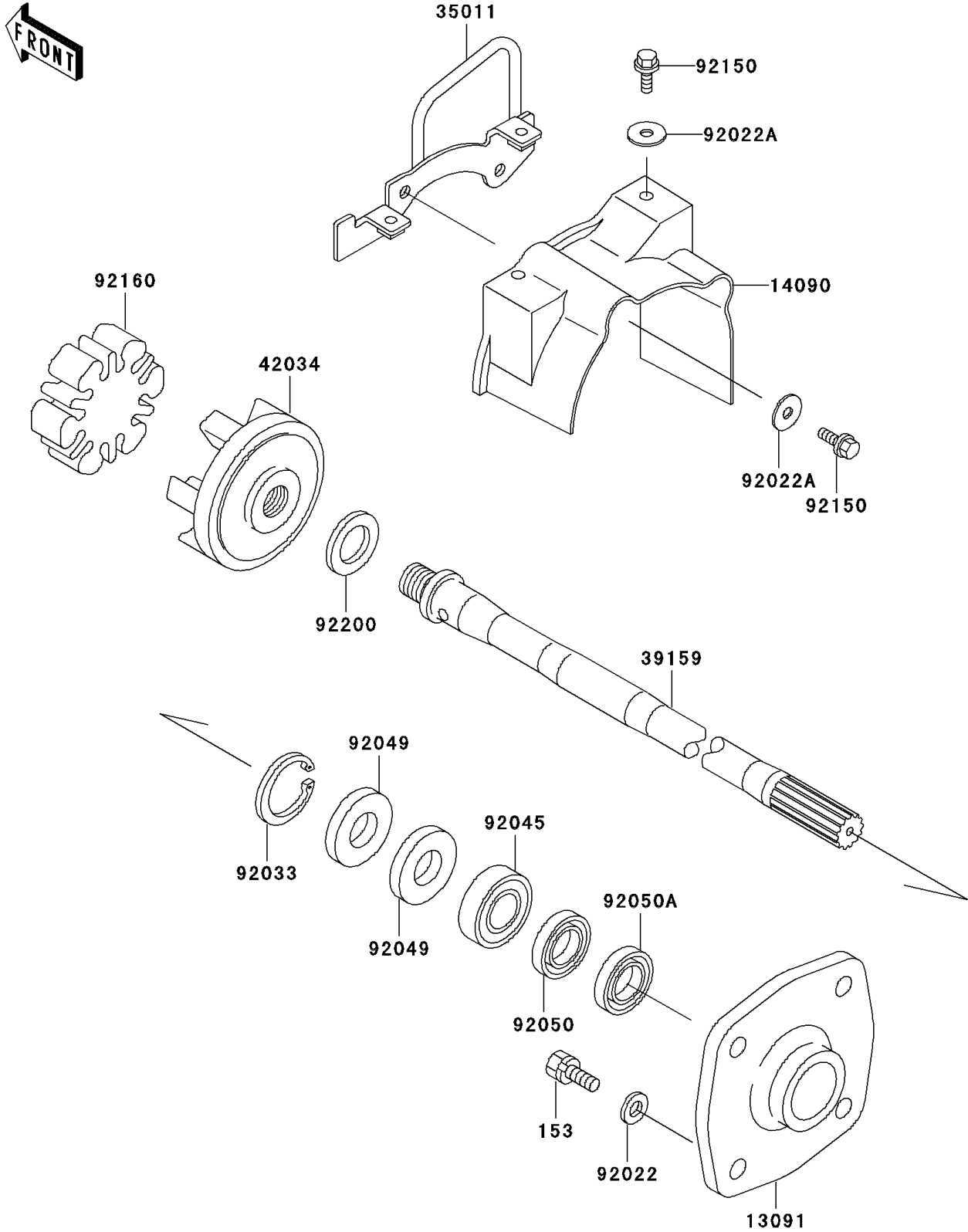


1998 JET SKI® 1100 STX® PARTS DIAGRAM

Drive Shaft

E3134



1998 JET SKI® 1100 STX® PARTS LIST

Drive Shaft

| ITEM NAME | PART NUMBER | QUANTITY |
|------------------------------------|-------------|----------|
| BOLT-WS-SMALL (Ref # 153) | 153R0830 | 1 |
| HOLDER (Ref # 13091) | 13091-3730 | 1 |
| COVER,COUPLING (Ref # 14090) | 14090-3789 | 1 |
| STAY (Ref # 35011) | 35011-3715 | 1 |
| SHAFT-DRIVE (Ref # 39159) | 39159-3725 | 1 |
| COUPLING (Ref # 42034) | 42034-3709 | 1 |
| WASHER,8.2X18X1.5 (Ref # 92022) | 92022-1964 | 1 |
| WASHER,6.5X20X1.5 (Ref # 92022A) | 92022-3710 | 1 |
| RING-SNAP,42MM (Ref # 92033) | 92033-3713 | 1 |
| BEARING-BALL,60042RD (Ref # 92045) | 92045-3705 | 1 |
| SEAL-OIL,S620426 (Ref # 92049) | 92049-3707 | 1 |
| SEAL-OIL,SCY20368 (Ref # 92050) | 92050-502 | 1 |
| SEAL-OIL,SC20367 (Ref # 92050A) | 92050-503 | 1 |
| BOLT,6X18 (Ref # 92150) | 92150-3729 | 1 |
| DAMPER,COUPLING (Ref # 92160) | 92160-3883 | 1 |
| WASHER,24X32X2.0 (Ref # 92200) | 92200-3739 | 1 |