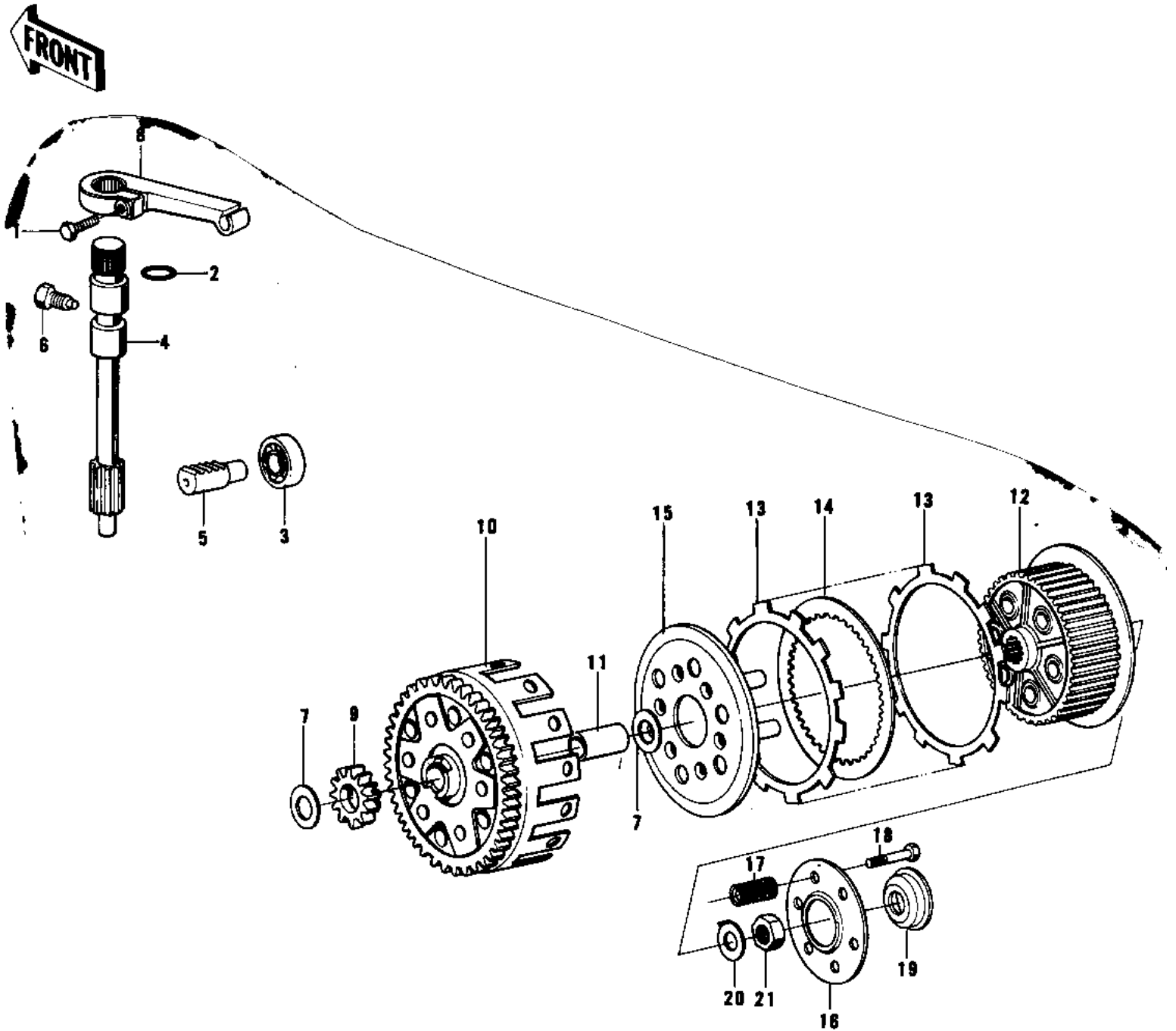


## 1973 F12MX PARTS DIAGRAM

CLUTCH ('73 F12MX 450)



## 1973 F12MX PARTS LIST

CLUTCH ('73 F12MX 450)

ITEM NAME	PART NUMBER	QUANTITY
BOLT-UPSET (Ref # 1)	112G0618	3
"O" RING, 10MM (Ref # 2)	670B2010	1
BEARING,BALL #627 (Ref # 3)	92045-026	1
SHAFT,CLUTCH RELEASE (Ref # 4)	13106-005	1
ROD,CLUTCH PUSH (Ref # 5)	13116-025	1
BOLT,CLUTCH RELEASE (Ref # 6)	92003-130	1
WASHER-CLUTCH THRUST (Ref # 7)	92022-168	1
LEVER,CLUTCH RELEASE (Ref # 8)	13103-018	1
PINION,KICKSTARTER (Ref # 9)	13075-009	1
HOUSHING,CLUTCH (Ref # 10)	13095-038	1
BUSHING (Ref # 11)	92028-105	1
HUB,CLUTCH (Ref # 12)	13087-035	1
PLATE,FRICITION (Ref # 13)	13088-1001	1
PLATE,CLUTCH STEEL (Ref # 14)	13089-024	1
WHEEL,CLUTCH (Ref # 15)	13086-014	1
HOLDER,CLUTCH SPRING (Ref # 16)	13091-012	1
SPRING CLUTCH (Ref # 17)	92081-042	1
PUSHER,CLUTCH RELEAS (Ref # 19)	13114-008	1
WASHER, (Ref # 20)	92024-052	1
NUT (Ref # 21)	92015-064	1