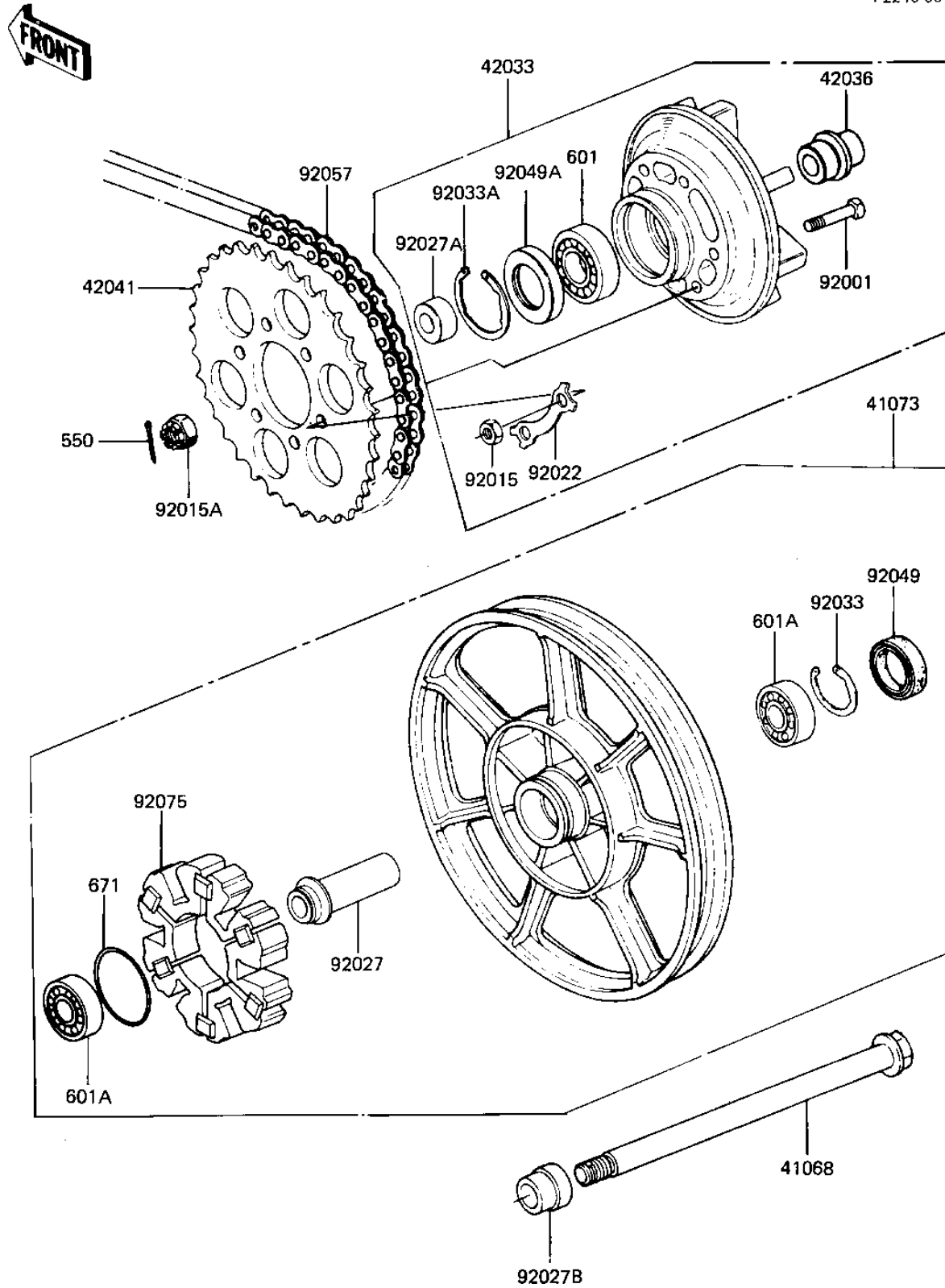


## 1981 550 GP PARTS DIAGRAM

REAR WHEEL/HUB/CHAIN

F2240-0015



## 1981 550 GP PARTS LIST

### REAR WHEEL/HUB/CHAIN

ITEM NAME	PART NUMBER	QUANTITY
AXLE,RR (Ref # 41068)	41068-1086	1
WHEEL-ASSY,RR,SOLID,F (Ref # 41073)	41073-1140-21	1
COUPLING ASSY,RR HUB (Ref # 42033)	42033-1021	1
SLEEVE,RR HUB L=33M/M (Ref # 42036)	42036-1036	1
SPROCKET,REAR,38T (Ref # 42041)	42041-1054	1
BOLT (Ref # 92001)	92001-161	1
NUT 10MM (Ref # 92015)	42045-005	1
NUT CASTLE,16MM (Ref # 92015A)	92015-055	1
WASHER,LOCK (Ref # 92022)	92022-1212	1
COLLAR,RR HUB L=90M/M (Ref # 92027)	92027-1261	1
COLLAR,RR AXLE L.H (Ref # 92027A)	92027-1262	1
COLLAR,RR AXLE L=31 (Ref # 92027B)	92027-1263	1
CIRCLIP,47M/M (Ref # 92033)	92033-1042	1
CIRCLIP,62M/M (Ref # 92033A)	92033-1044	1
OIL SEAL,AG1556EO (Ref # 92049)	92049-1056	1
OIL SEAL (Ref # 92049A)	92050-027	1
CHAIN,530X100 SH-0 (Ref # 92057)	92057-1050	1
SHOCK DAMPER,REAR HUB (Ref # 92075)	42014-033	1
PIN-COTTER,4.0X35 (Ref # 550)	550D4035	1
BALL BEARING,#6206 (Ref # 601)	601B6206	1
BRG,BALL,#6303ZZC3 (Ref # 601A)	601B6303ZZ	1
"O" RING,65MM (Ref # 671)	671B2565	1