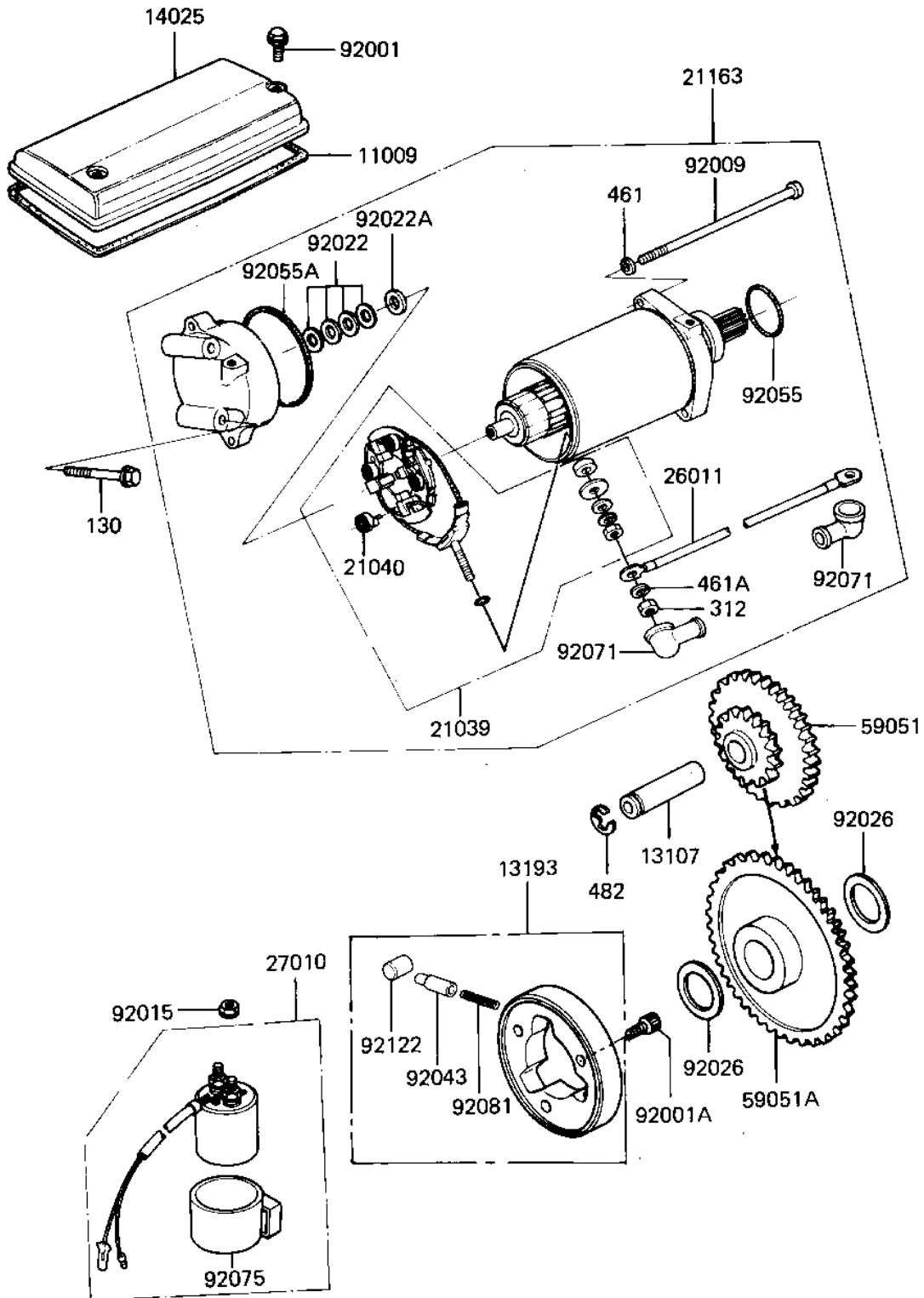


## 1981 550 GP PARTS DIAGRAM

STARTER MOTOR/STARTER CLUTCH

E1840-0012



## 1981 550 GP PARTS LIST

### STARTER MOTOR/STARTER CLUTCH

ITEM NAME	PART NUMBER	QUANTITY
GASKET,STARTER COVER (Ref # 11009)	11009-1069	1
SHAFT,IDLE GEAR (Ref # 13107)	13107-1006	1
CLUTCH ASSY,ONEWAY (Ref # 13193)	13193-1002	1
COVER,STARTER MOTOR (Ref # 14025)	14025-1379	1
BRUSH SET,CARBON (Ref # 21039)	21039-1005	1
SPRING,CARBON BRUSH (Ref # 21040)	21040-1002	1
STARTER-ELECTRIC (Ref # 21163)	21163-1031	1
WIRE,STARTER MOTOR (Ref # 26011)	26011-1073	1
SWITCH ASSY,MAGNETIC (Ref # 27010)	21164-005	1
GEAR,STARTER IDLE (Ref # 59051)	59051-1011	1
GEAR,ONEWAY CLUTCH (Ref # 59051A)	16085-1030	1
BOLT,6X10 (Ref # 92001)	92001-1151	1
BOLT,SOCKET,8X10 (Ref # 92001A)	92001-1424	1
SCREW,PAN HEAD,6X110 (Ref # 92009)	21015-005	1
NUT-6MM (Ref # 92015)	92015-1078	1
WASHER,THRUST,0.2T (Ref # 92022)	21025-011	1
WASHER,THRUST,0.8T (Ref # 92022A)	92022-1132	1
SPACER,25X36X3.2 (Ref # 92026)	92026-1025	1
PIN (Ref # 92043)	92043-132	1
"O" RING,STARTING MTR (Ref # 92055)	21027-004	1
"O" RING,STARTER MOTR (Ref # 92055A)	92055-1086	1
GROMMET,CORD (Ref # 92071)	21017-017	1
DAMPER MAG SWITCH SHK (Ref # 92075)	21064-002	1
SPRING,COIL (Ref # 92081)	92081-159	1
ROLLER (Ref # 92122)	92122-006	1
BOLT,FLANGED,6X55 (Ref # 130)	130G0655	1
NUT 6MM (Ref # 312)	312B0600	1
WASHER SPRING 5MM (Ref # 461)	461F0500	1
WASHER SPRING 6MM (Ref # 461A)	461F0600	1

## 1981 550 GP PARTS LIST

STARTER MOTOR/STARTER CLUTCH

ITEM NAME	PART NUMBER	QUANTITY
CIRCLIP 12MM (Ref # 482)	482K0200	1