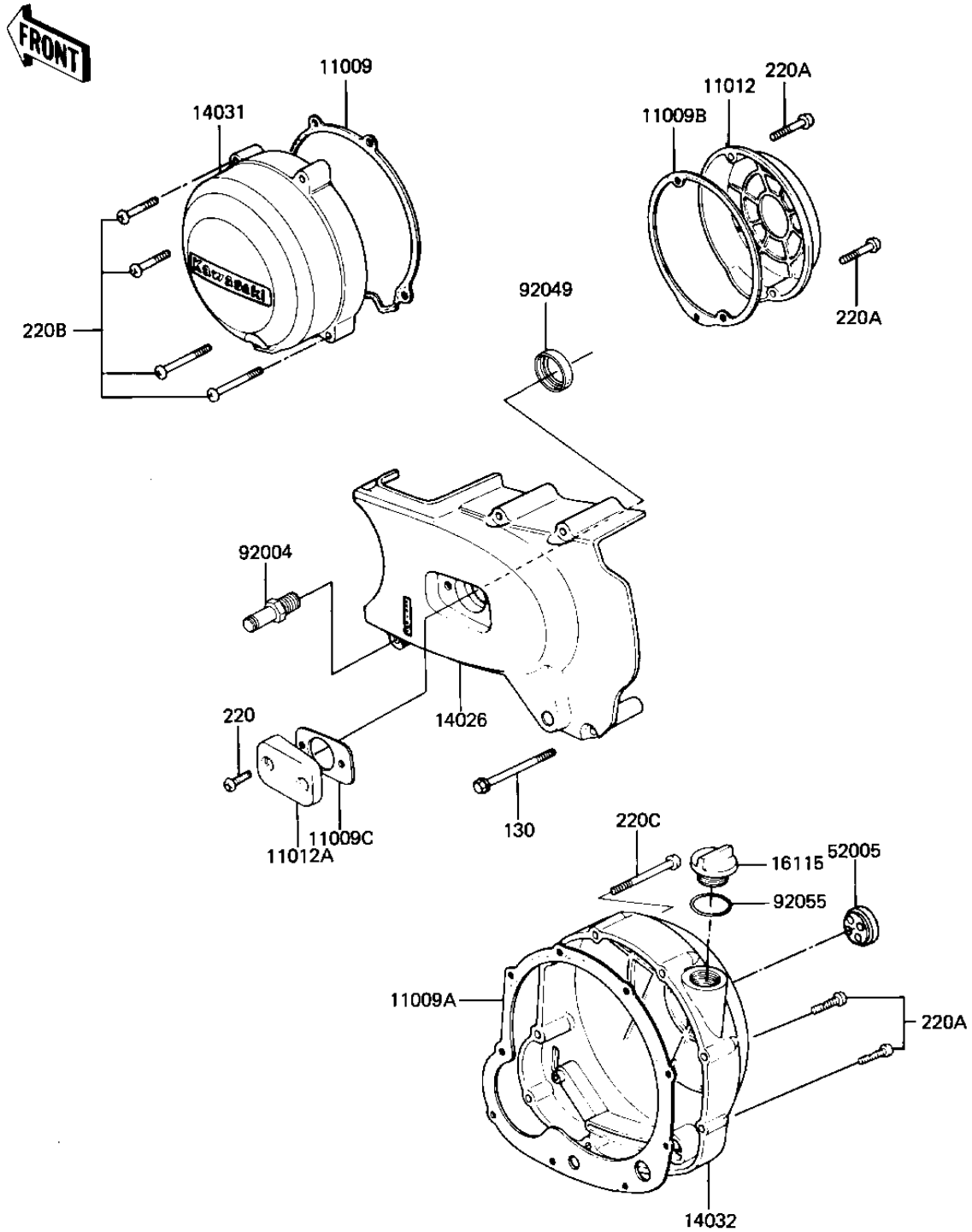


1981 550 GP PARTS DIAGRAM

ENGINE COVERS

E1431-0021



1981 550 GP PARTS LIST

ENGINE COVERS

ITEM NAME	PART NUMBER	QUANTITY
GASKET,GENERATOR COVE (Ref # 11009)	11060-1055	1
GASKET,CLUTCH COVER (Ref # 11009A)	11060-1054	1
GASKET,PULSING COIL C (Ref # 11009B)	11060-1053	1
GASKET,CLUTCH ADJ CAP (Ref # 11009C)	14049-004	1
CAP,CONTACT BREAKER (Ref # 11012)	11012-1166	1
CAP,CLUTCH ADJUSTING (Ref # 11012A)	11012-1181	1
COVER-CHAIN,F.BLACK (Ref # 14026)	14026-1043	1
COVER-GENERATOR (Ref # 14031)	14031-1066	1
COVER-CLUTCH,F.BLACK (Ref # 14032)	14032-1057	1
CAP-OIL FILLER (Ref # 16115)	16115-1009	1
GAUGE,OIL LEVEL (Ref # 52005)	52005-1009	1
STUD,CHANGE LEVER PIV (Ref # 92004)	92004-1038	1
OIL SEAL,CLUTCH RELES (Ref # 92049)	92049-1003	1
"O" RING,31MM (Ref # 92055)	92055-049	1
BOLT-FLANGED,6X70 (Ref # 130)	130G0670	1
SCREW PAN HEAD 6X18 (Ref # 220)	220B0618	1
SCREW PAN HEAD 6X30 (Ref # 220A)	220B0630	1
SCREW PAN HEAD 6X40 (Ref # 220B)	220B0640	1
SCREW PAN HEAD 6X60 (Ref # 220C)	220B0660	1