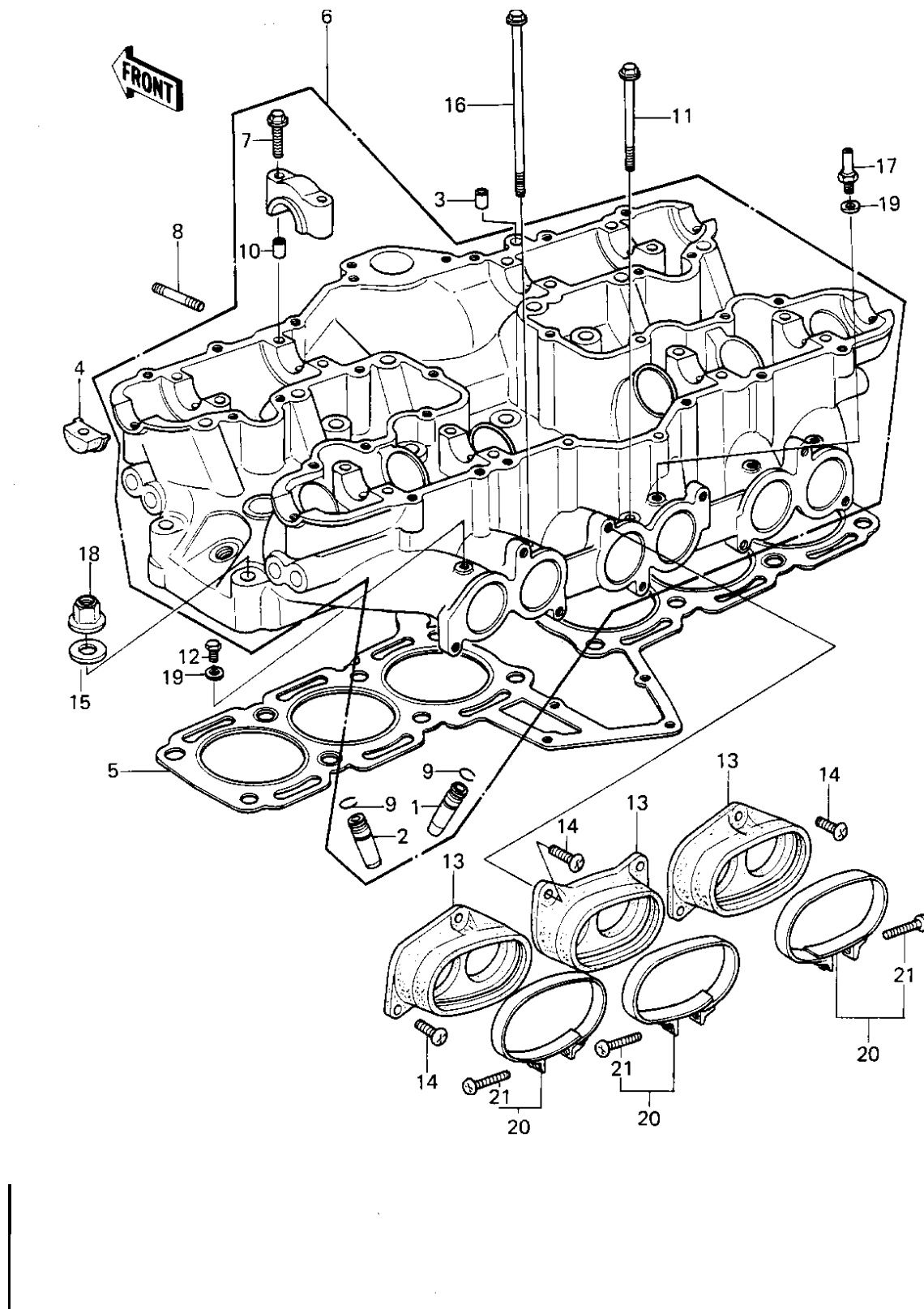


## 1980 KZ1300 Touring PARTS DIAGRAM

CYLINDER HEAD



## 1980 KZ1300 Touring PARTS LIST

### CYLINDER HEAD

ITEM NAME	PART NUMBER	QUANTITY
GUIDE,INLET VALVE (Ref # 1)	12013-009	1
GUIDE,EXHAUST VALVE (Ref # 2)	49002-1002	1
PIN-DOWEL (Ref # 3)	92042-007	2
PLUG,CAMSHAFT (Ref # 4)	92066-1030	1
GASKET,HEAD,CYLINDER (Ref # 5)	11004-1014	1
HEAD,CYLINDER (Ref # 6)	11008-1002	1
BOLT,HEX HEAD,6X45 (Ref # 7)	92003-092	1
STUD,6X27 (Ref # 8)	92004-066	1
CIRCLIP-VALVE (Ref # 9)	92036-023	1
BOLT,FLANGED,6X65 (Ref # 11)	130G0665	1
BOLT,FLANGED,6X18 (Ref # 12)	130N0608	1
HOLDER,CARBURETOR (Ref # 13)	16065-1016	1
SCREW PAN HEAD 6X16 (Ref # 14)	220B0616	1
WASHER PLAIN 10MM (Ref # 15)	411B1000	1
BOLT,HEX HEAD,6X161 (Ref # 16)	92001-1302	1
BOLT,VACUUM (Ref # 17)	92001-1143	1
NUT,CYLINDER HEAD (Ref # 18)	92015-076	1
WASHER,PLAIN (Ref # 19)	92022-304	1
CLAMP,CARBURETOR HLDR (Ref # 20)	92037-1119	1
SCREW,PAN HEAD,5X30 (Ref # 21)	92011-032	1