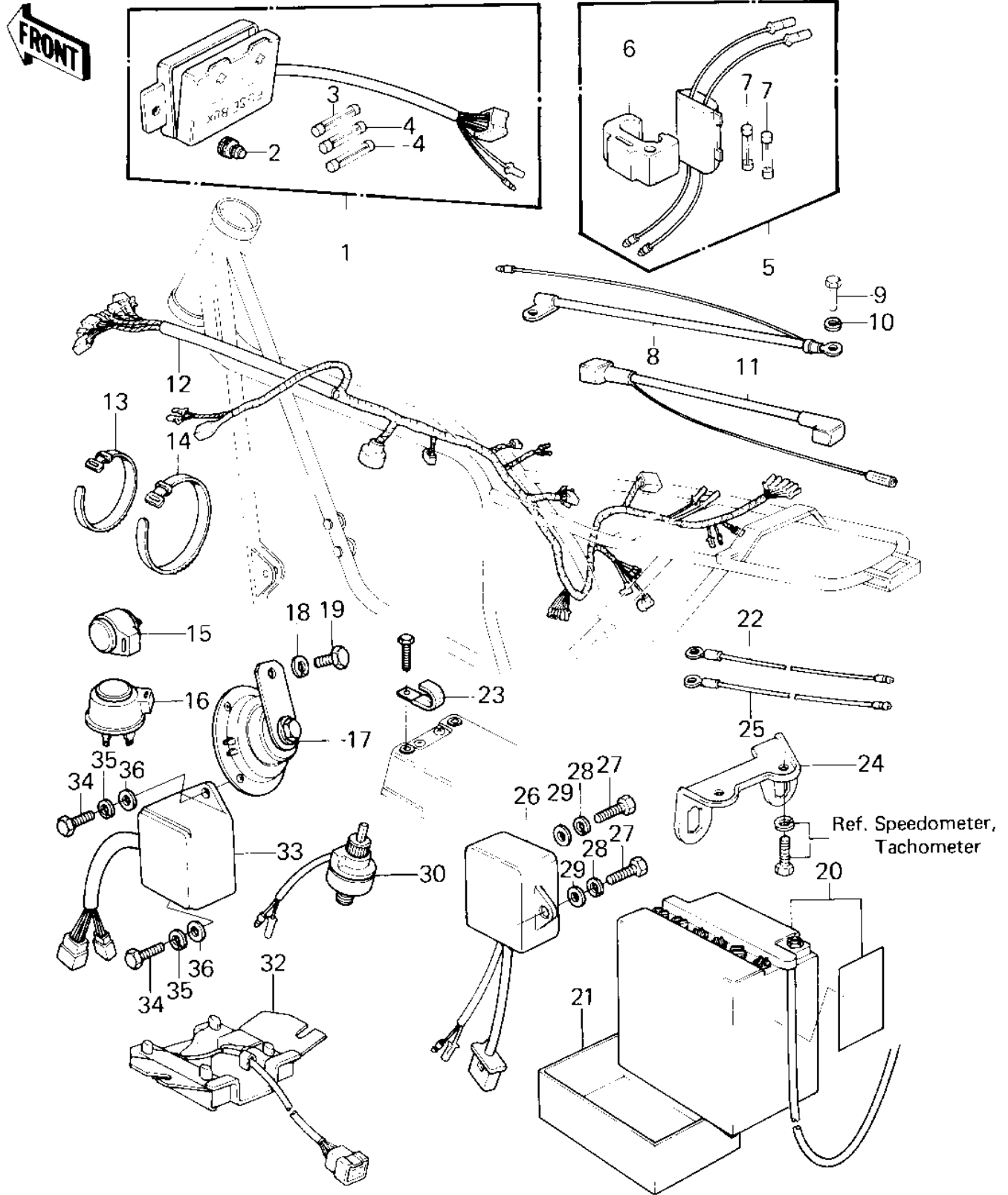


## 1980 Z1R PARTS DIAGRAM

CHASSIS ELECTRICAL EQUIPMENT ('80 D3)



## 1980 Z1R PARTS LIST

CHASSIS ELECTRICAL EQUIPMENT ('80 D3)

ITEM NAME	PART NUMBER	QUANTITY
FUSE ASSY (Ref # 1)	26004-1006	1
DAMPER RUBBER,FUSE (Ref # 2)	92075-279	1
FUSE-20A (Ref # 3)	26006-005	1
FUSE 10A (Ref # 4)	26006-003	1
FUSE ASSY (Ref # 5)	26004-1003	1
DAMPER RUBBER (Ref # 6)	92075-1044	1
FUSE 2A, (Ref # 7)	26006-1001	1
WIRE,BATTERY GROUND (Ref # 8)	26010-054	1
BOLT,HEX HEAD,6MM (Ref # 9)	92001-137	1
WASHER SPRING 6MM (Ref # 10)	461F0600	3
WIRE,STARTER LEAD (Ref # 11)	26011-1018	1
WIRING HARNESS,MAIN (Ref # 12)	26001-1056	1
BAND,SHORT (Ref # 13)	92072-030	1
BAND,WIRING HARNESS (Ref # 14)	92072-056	1
RELAY-TURN SIGNAL (Ref # 15)	27002-011	1
RELAY,TURN SIGNAL (Ref # 16)	27002-016	1
HORN (Ref # 17)	27003-1006	1
WASHER SPRING 8MM (Ref # 18)	461F0800	1
BOLT-SMALL-UPSET,8X1 (Ref # 19)	115G0816	1
YUA BAT YB14L-A2 (Ref # 20)	26012-1008	1
CASE,BATTERY (Ref # 21)	32099-015	1
LEAD WIRE,SIGNAL LAM (Ref # 22)	26011-063	1
CLAMP,WIRING HARNESS (Ref # 23)	92037-1069	1
BRACKET (Ref # 24)	11034-1149	1
WIRE,LEAD (Ref # 25)	26011-095	1
SWITCH,TURN SIGNAL 0 (Ref # 26)	27010-1016	1
BOLT-UPSET,6X20 (Ref # 27)	112G0620	1
WASHER PLAIN 6MM (Ref # 29)	411B0600	2
SWITCH,COMBINATION (Ref # 30)	27010-1017	1

## 1980 Z1R PARTS LIST

CHASSIS ELECTRICAL EQUIPMENT ('80 D3)

ITEM NAME	PART NUMBER	QUANTITY
LABEL-WARNING,BATTER (Ref # 31)	56040-1036	1
RESISTOR (Ref # 32)	28018-1012	1
SWITCH,RESERVE LAMP (Ref # 33)	27010-1007	1
BOLT-UPSET,6X16 (Ref # 34)	112G0616	1