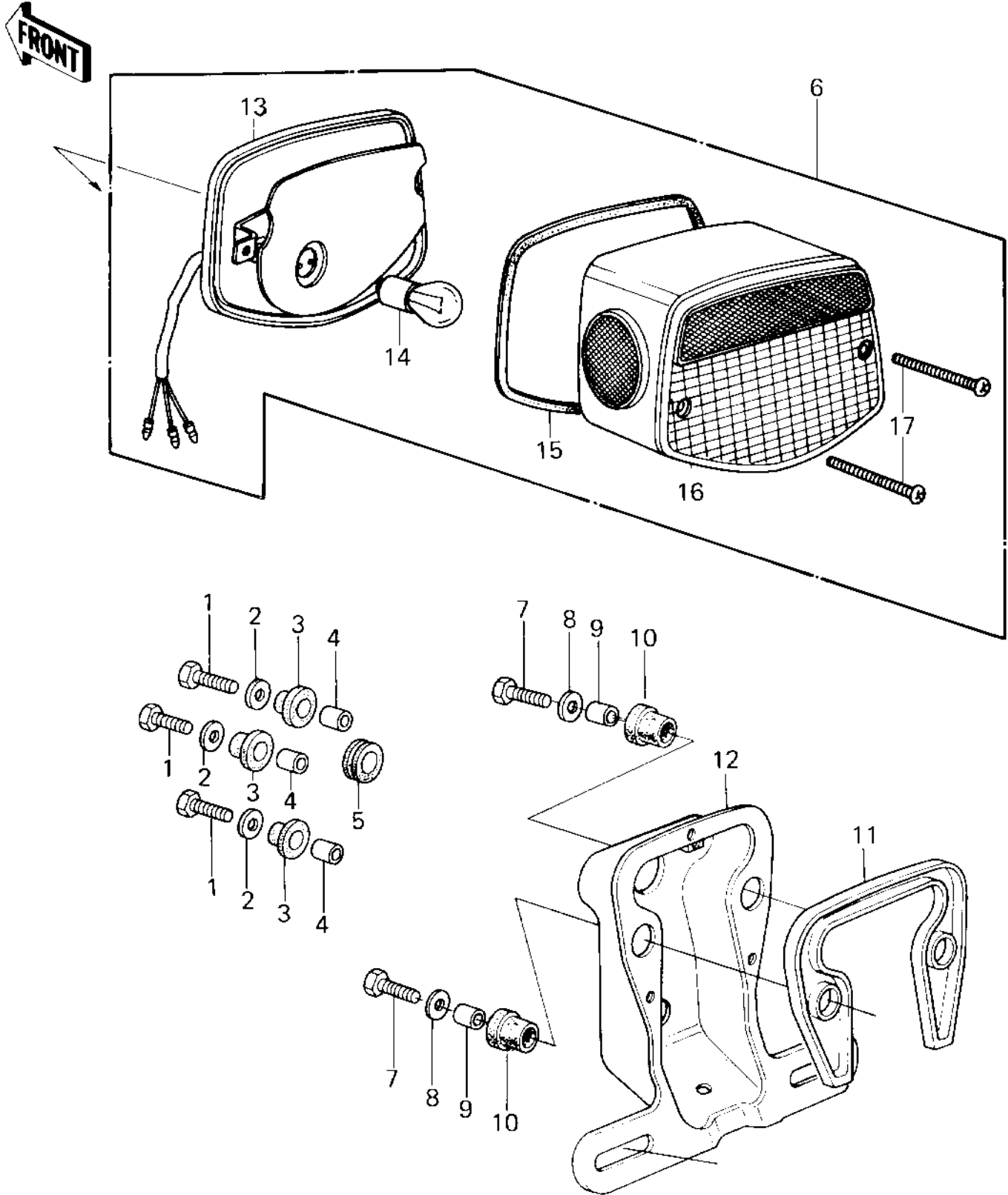


1980 Z1R PARTS DIAGRAM

TAILLIGHT ('80 D3)



1980 Z1R PARTS LIST

TAILLIGHT ('80 D3)

| ITEM NAME | PART NUMBER | QUANTITY |
|--------------------------------|-------------|----------|
| BOLT-UPSET,6X20 (Ref # 1) | 112G0620 | 1 |
| WASHER 6.5X20X1.6T (Ref # 2) | 92022-125 | 2 |
| DAMPER RUBBER (Ref # 3) | 92075-112 | 1 |
| COLLAR 6.8X10X10.5 (Ref # 4) | 92027-120 | 1 |
| GROMMET HARNESS 10MM (Ref # 5) | 92071-019 | 1 |
| TAIL LAMP UNIT (Ref # 6) | 23025-064 | 1 |
| BOLT 6X22 (Ref # 7) | 112B0622 | 1 |
| COLLAR 6.8X10X14.5 (Ref # 9) | 92027-156 | 1 |
| DAMPER RUBBER (Ref # 10) | 92075-1092 | 1 |
| DAMPER RUBBER,TAIL (Ref # 11) | 92075-1103 | 1 |
| BRACKET,TAIL LAMP (Ref # 12) | 23036-1011 | 1 |
| CASE,TAIL LIGHT (Ref # 13) | 23027-041 | 1 |
| BULB,12V 32/3CP (Ref # 14) | 92069-059 | 1 |
| GASKET,TAIL LENS (Ref # 15) | 23028-021 | 1 |
| LENS,TAIL LAMP (Ref # 16) | 23026-034 | 1 |
| SCREW-PAN-CROS (Ref # 17) | 220R0460 | 1 |