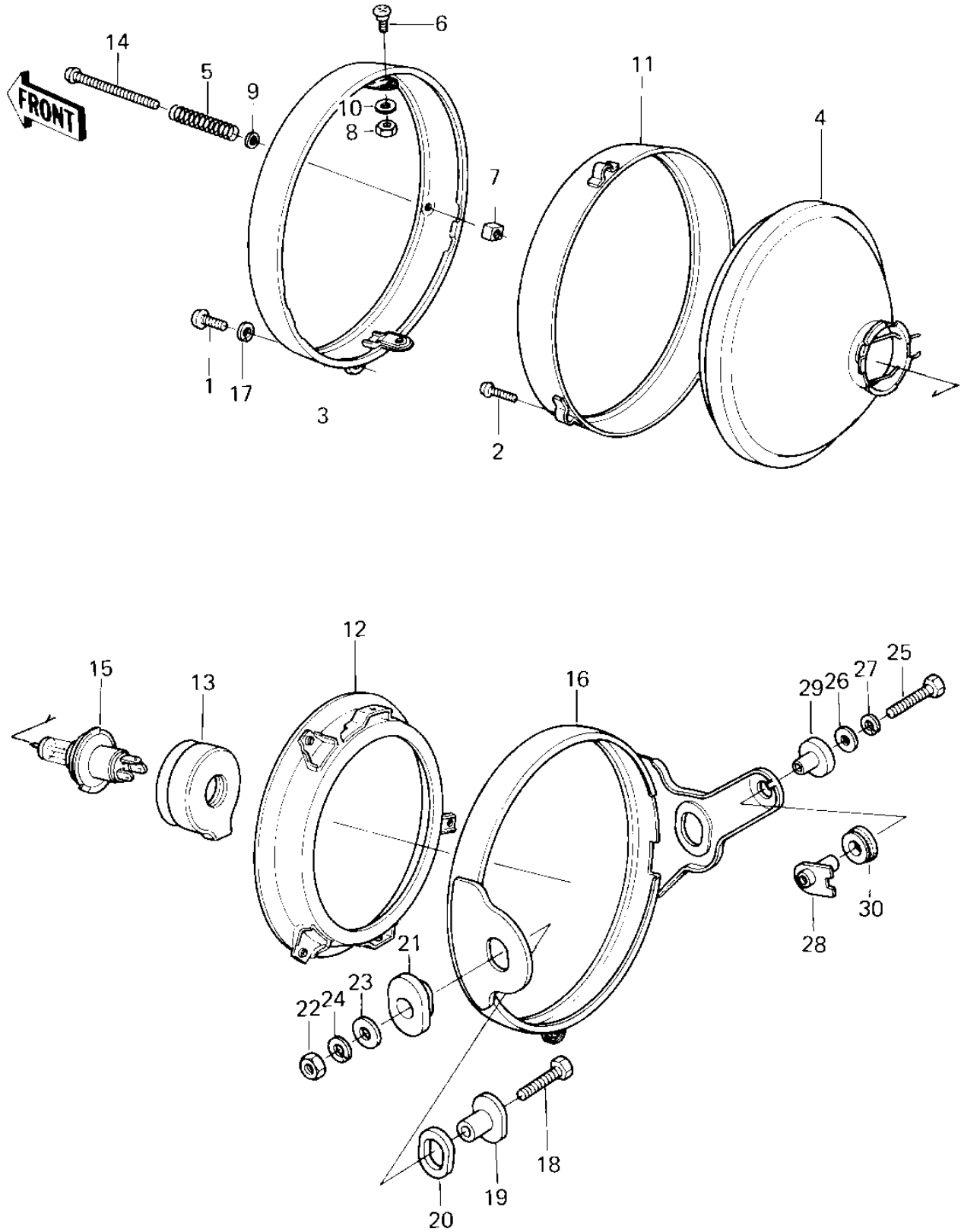


1980 Z1R PARTS DIAGRAM

HEADLIGHT ('80 D3)



1980 Z1R PARTS LIST

HEADLIGHT ('80 D3)

ITEM NAME	PART NUMBER	QUANTITY
SCREW PAN HEAD 6X12 (Ref # 1)	220B0612	1
SCREW PAN HEAD 3X12 (Ref # 2)	220B0312	1
RIM,HEAD LAMP (Ref # 3)	23006-1006	1
LENS UNIT,HEAD LAMP (Ref # 4)	23007-1009	1
SPRING FOCUS ADJUST (Ref # 5)	23014-005	1
SCREW-PAN HEAD,5X12 (Ref # 6)	23019-023	1
NUT,4MM (Ref # 7)	23020-018	1
NUT,HEAD LAMP RIM FI (Ref # 8)	23020-023	1
WASHER (Ref # 9)	23021-004	1
WASHER-PLAIN,5MM (Ref # 10)	23021-012	1
RING,HEAD LAMP MOUNT (Ref # 11)	23072-001	1
RING,HEAD LAMP MOUNT (Ref # 12)	23074-001	1
DUST COVER (Ref # 13)	49016-1016	1
SCREW,FOCUS ADJU.4X5 (Ref # 14)	92009-1033	1
BULB,12V-60/55W (Ref # 15)	92069-1002	1
BODY,HEAD LAMP (Ref # 16)	23005-1009	1
WASHER SPRING 6MM (Ref # 17)	461F0600	2
BOLT-SMALL-FINE,10X4 (Ref # 18)	113G1045	1
COLLAR,HEAD LIGHT (Ref # 19)	23052-011	1
DAMPER RUBBER (Ref # 20)	23066-021	1
DAMPER RUBBER (Ref # 21)	23066-022	1
NUT 10MM (Ref # 22)	315B1000	1
WASHER PLAIN 10MM (Ref # 23)	411B1000	1
WASHER SPRING 10MM (Ref # 24)	461F1000	1
BOLT 6X35 (Ref # 25)	110R0635	1
WASHER PLAIN 6MM (Ref # 26)	411B0600	1
NUT,HEAD LAMP FITTIN (Ref # 28)	92015-1061	1
COLLAR (Ref # 29)	92027-1045	1
DAMPER, HEAD LMP FIT (Ref # 30)	92075-1123	1