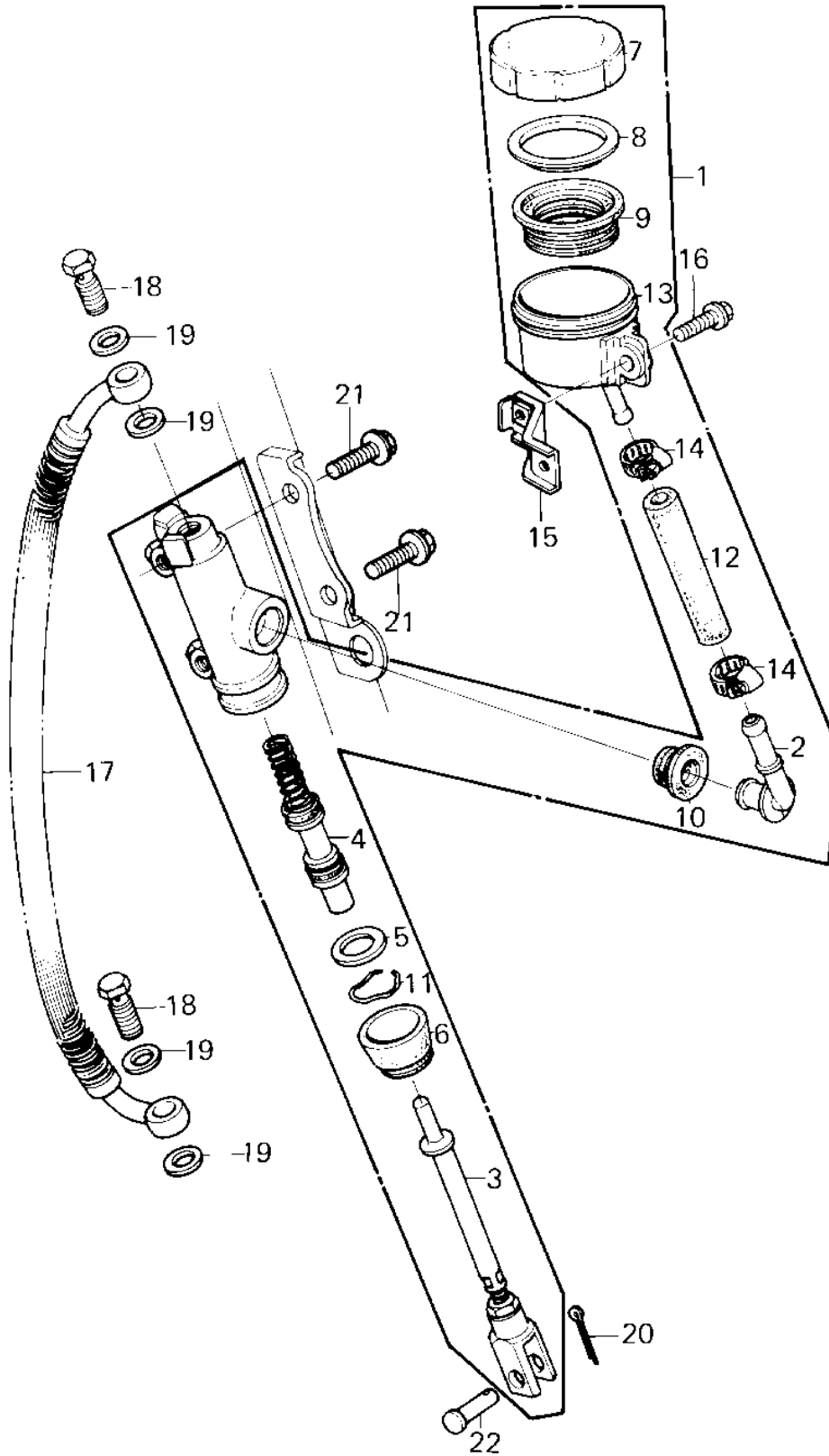


1980 Z1R PARTS DIAGRAM

REAR MASTER CYLINDER ('80 D3)



1980 Z1R PARTS LIST

REAR MASTER CYLINDER ('80 D3)

ITEM NAME	PART NUMBER	QUANTITY
CYLINDER ASSY,RR MAS (Ref # 1)	43015-1047	1
CONNECTOR (Ref # 2)	13159-1005	1
ROD ASSY,REAR BRAKE (Ref # 3)	43010-1003	1
PISTON ASSY,RR BRAKE (Ref # 4)	43020-1015	1
STOPPER,PISTON (Ref # 5)	43022-1002	1
DUST COVER (Ref # 6)	43024-003	1
CAP,OIL CUP (Ref # 7)	43026-1010	1
PLATE,DIAPHRAGM (Ref # 8)	43027-1005	1
DIAPHRAGM (Ref # 9)	43028-1016	1
PACKING (Ref # 10)	43049-1008	1
RING,DUST SEAL (Ref # 11)	43058-004	1
HOSE,BRAKE (Ref # 12)	43059-1044	1
RESERVOIR (Ref # 13)	43078-1008	1
CLAMP,BRAKE HOSE (Ref # 14)	92037-1154	1
BRACKET,RR M/CYLINDE (Ref # 15)	11034-1580	1
BOLT,FLANGED,6X20 (Ref # 16)	130B0620	1
HOSE, RR M/CYL BRAKE (Ref # 17)	43059-1046	1
BOLT,OIL,L=23 (Ref # 18)	92002-1888	1
WASHER-OIL BOLT (Ref # 19)	43067-001	1
PIN COTTER 2.0X15 (Ref # 20)	550D2015	1
BOLT,8X28 (Ref # 21)	92001-1095	1
PIN (Ref # 22)	92043-1013	1