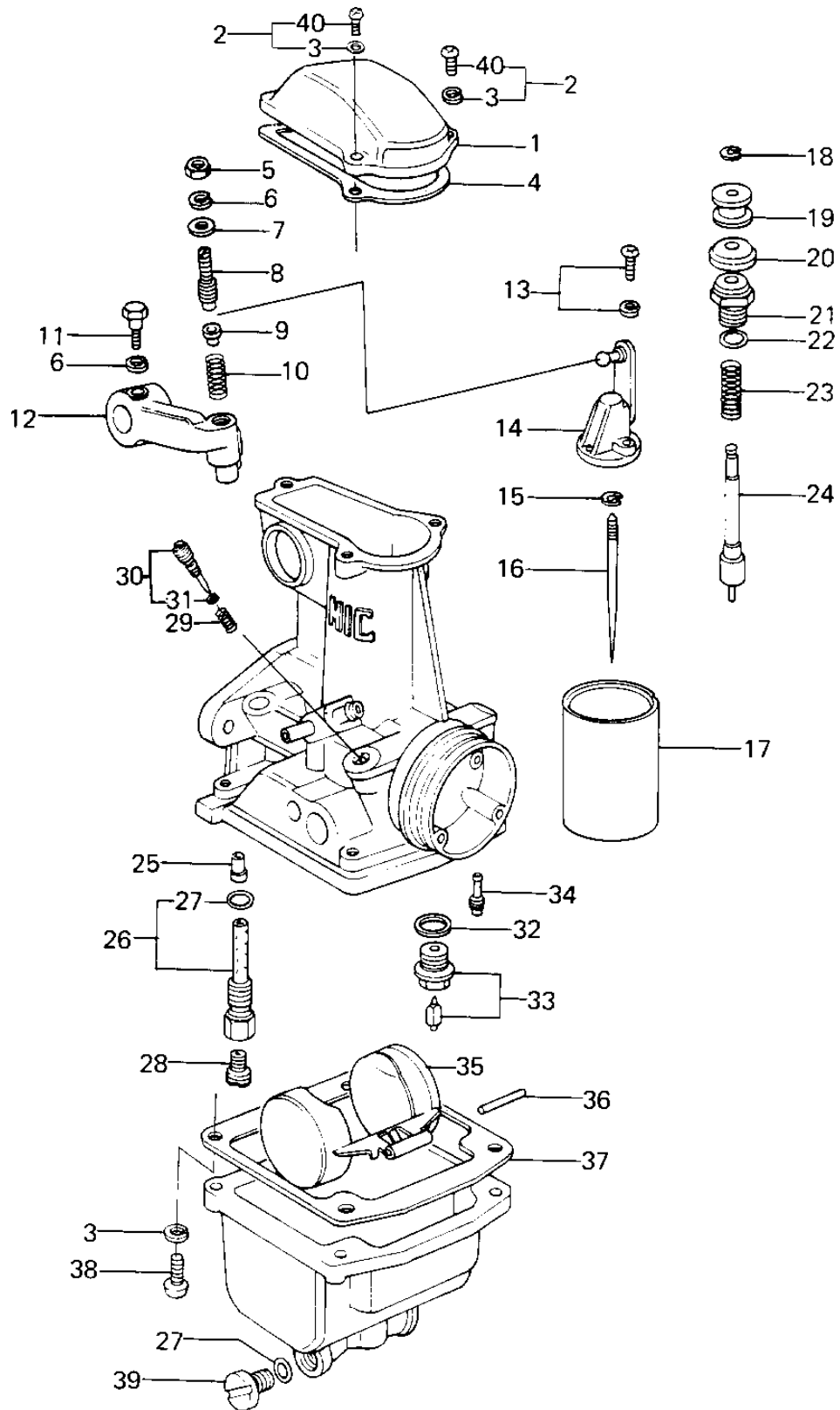


1980 Z1R PARTS DIAGRAM

CARBURETOR PARTS (CANADA) ('80 D3)



1980 Z1R PARTS LIST

CARBURETOR PARTS (CANADA) ('80 D3)

| ITEM NAME | PART NUMBER | QUANTITY |
|---|-------------|----------|
| TOP,MIXING CHAMBER (Ref # 1) | 16005-027 | 1 |
| SCREW-PAN-WS-CROS (Ref # 2) | 223B0414 | 1 |
| WASHER SPRING 4MM (Ref # 3) | 461F0400 | 1 |
| GASKET,CHAMBER TOP (Ref # 4) | 16019-031 | 1 |
| NUT,5MM (Ref # 5) | 16003-013 | 1 |
| NUT 5MM (Ref # 5) | 312B0500 | 1 |
| WASHER SPRING 5MM (Ref # 6) | 461F0500 | 1 |
| WASHER,PLAIN (Ref # 7) | 16039-016 | 1 |
| SCREW,SLOTTED (Ref # 8) | 16046-012 | 1 |
| SEAT,SPRING (Ref # 9) | 16057-002 | 1 |
| SPRING (Ref # 10) | 16040-026 | 1 |
| BOLT,HEX HEAD,5X14 (Ref # 11) | 16067-006 | 1 |
| LEVER,THROTTLE (Ref # 12) | 39075-1001 | 1 |
| SCREW,PAN HEAD,3X14 (Ref # 13) | 16033-031 | 1 |
| BRACKET,THROTTLE VAL (Ref # 14) | 16007-028 | 1 |
| CIRCLIP (Ref # 15) | 16008-010 | 1 |
| JET NEEDLE,5CN15 (Ref # 16) | 16009-1013 | 1 |
| VALVE,THROTTLE,CA1.75 (Canada) (Ref # 17) | 16025-1033 | 1 |
| CIRCLIP (Ref # 18) | 16076-003 | 1 |
| COLLAR (Ref # 19) | 16073-014 | 1 |
| CAP,STARTER PLUNGER (Ref # 20) | 16039-015 | 1 |
| CAP,STARTER PLUNGER (Ref # 21) | 16012-015 | 1 |
| "O" RING,9MM (Ref # 22) | 670B1509 | 1 |
| SPRING,STARTER PLUG (Ref # 23) | 16013-008 | 1 |
| PLUNGER,STARTER (Ref # 24) | 16016-021 | 1 |
| NEEDLE JET,0-1 (Ref # 25) | 16017-1011 | 1 |
| *** N.L.A.*** (Canada) (Ref # 26) | 49122-1008 | 1 |
| "O" RING,MAIN JET CO (Ref # 27) | 16038-016 | 1 |
| MAIN JET,#A105R (Ref # 28) | 92063-1042 | 1 |

1980 Z1R PARTS LIST

CARBURETOR PARTS (CANADA) ('80 D3)

| ITEM NAME | PART NUMBER | QUANTITY |
|---------------------------------|-------------|----------|
| MAIN JET,#A100 (Ref # 28) | 92063-1033 | 1 |
| MAIN JET,#A102.5 (Ref # 28) | 92063-1028 | 1 |
| JET-MAIN NO 107.5R (Ref # 28) | 92063-073 | 1 |
| MAIN JET,#110R (Ref # 28) | 92063-1038 | 1 |
| SPRING-THR STOP SCRE (Ref # 29) | 16022-007 | 1 |
| SCREW,PILOT ADJUSTIN (Ref # 30) | 16014-1004 | 1 |
| "O" RING (Ref # 31) | 16038-022 | 1 |
| WASHER FLOAT VLV SEA (Ref # 32) | 16029-004 | 1 |
| FLOAT VALVE ASSY (Ref # 33) | 16030-027 | 1 |
| JET-PILOT NO.15 (Ref # 34) | 92064-1003 | 1 |
| FLOAT (Ref # 35) | 16031-031 | 1 |
| FLOAT PIN (Ref # 36) | 16032-003 | 1 |
| GASKET,FLOAT CHAMBER (Ref # 37) | 11009-1563 | 1 |
| SCREW PAN HEAD 4X16 (Ref # 38) | 220B0416 | 1 |
| SCREW,GUIDE (Ref # 39) | 16049-007 | 1 |
| SCREW-PAN-CROS (Ref # 40) | 220B0414 | 1 |