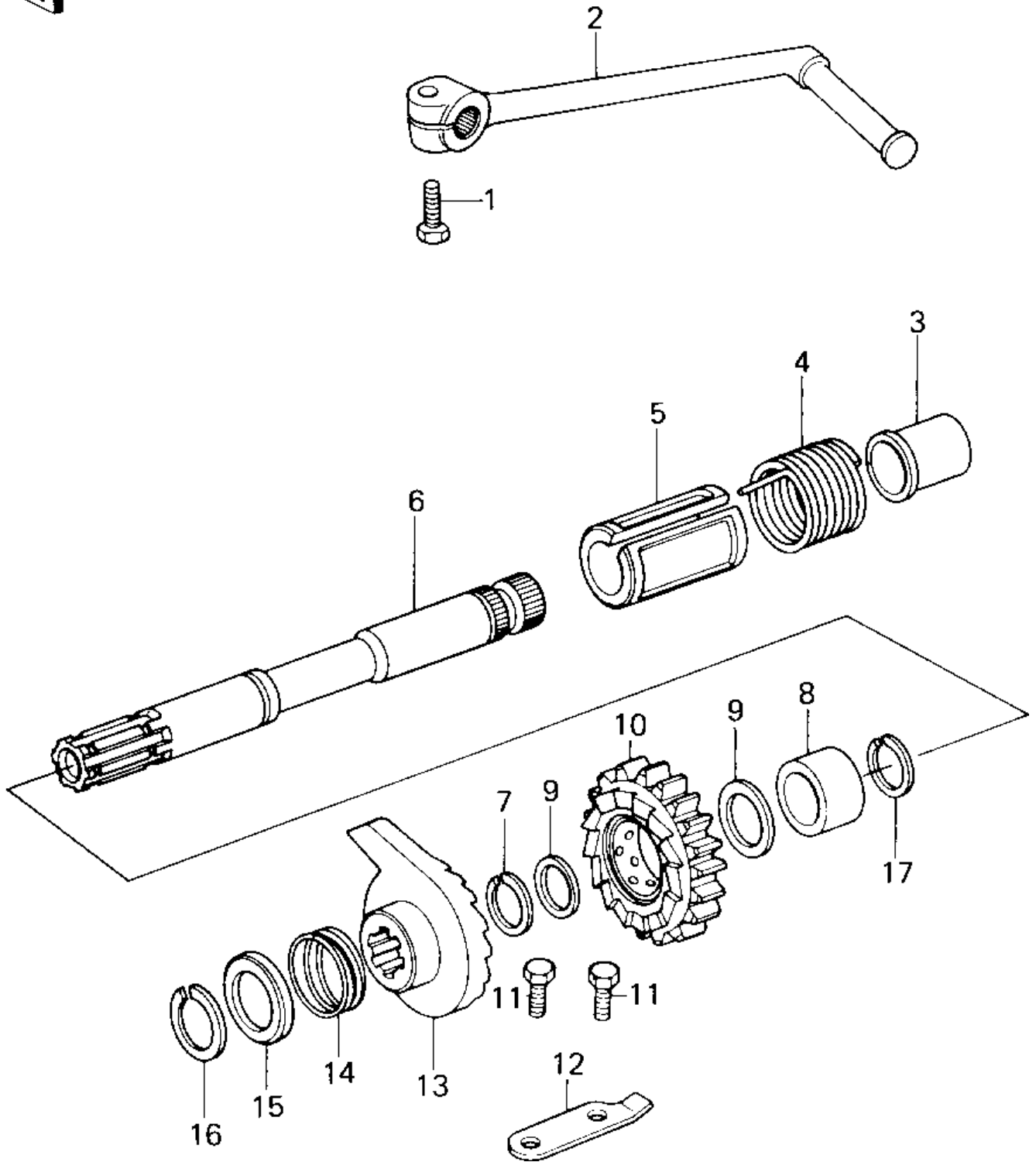


1980 Z1R PARTS DIAGRAM

KICKSTARTER MECHANISM ('80 D3)



1980 Z1R PARTS LIST

KICKSTARTER MECHANISM ('80 D3)

ITEM NAME	PART NUMBER	QUANTITY
BOLT,HEX HEAD,10X25 (Ref # 1)	113G1025	1
LEVER ASSY,KICK (Ref # 2)	13059-1006	1
PLUG (Ref # 3)	92074-037	1
SPRING,KICKSTARTER (Ref # 4)	92082-004	1
GUID,KICK SPRING (Ref # 5)	13070-1008	1
SHAFT,KICKSTARTER (Ref # 6)	13066-1004	1
CIRCLIP,25MM (Ref # 7)	92033-025	1
COLLAR,KICKSHAFT (Ref # 8)	92028-126	1
WASHER,PLAIN,22MM (Ref # 9)	92022-207	1
GEAR,KICKSTARTER (Ref # 10)	59051-1006	1
BOLT-UPSET (Ref # 11)	112G0614	1
STOPPER,KICKSTARTER (Ref # 12)	13072-012	1
RATCHET,KICK SHAFT (Ref # 13)	13078-011	1
SPRING RATCHET (Ref # 14)	92081-104	1
CAP,KICKSTARTER (Ref # 15)	92102-008	1
CIRCLIP,19MM (Ref # 16)	480J1900	1
CIRCLIP,22MM (Ref # 17)	480J2200	1