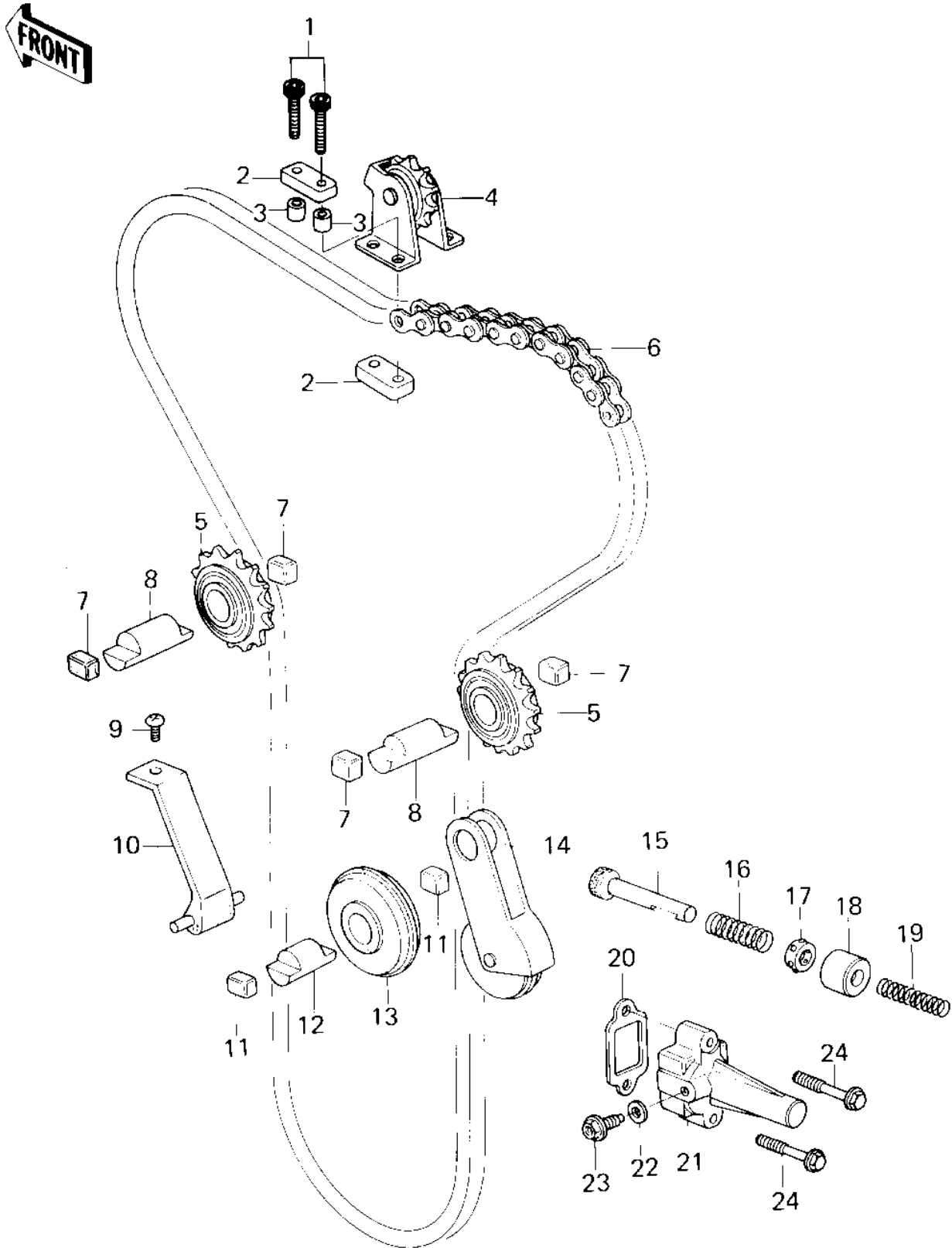


## 1980 Z1R PARTS DIAGRAM

CAM CHAIN/TENSIONER ('80 D3)



## 1980 Z1R PARTS LIST

CAM CHAIN/TENSIONER ('80 D3)

ITEM NAME	PART NUMBER	QUANTITY
BOLT,ALLEN,6X32 (Ref # 1)	120Q0632	1
DAMPER RUBBER (Ref # 2)	92075-289	1
COLLAR,8X15 (Ref # 3)	92027-1079	1
IDLER ASSY,CAM SHAFT (Ref # 4)	12053-1035	1
IDLER ASSY (Ref # 5)	12057-002	1
CHAIN,CAM,124LINKS (Ref # 6)	92057-1026	1
RUBBER,GUIDE ROLLAR (Ref # 7)	92075-232	1
SHAFT,GUIDE ROLLER (Ref # 8)	12052-005	1
SCREW PAN HEAD 6X10 (Ref # 9)	220B0610	1
GUIDE,CAM CHAIN (Ref # 10)	12053-019	1
DAMPER RUBBER (Ref # 11)	92075-123	1
SHAFT,CAM CHAIN GUID (Ref # 12)	12052-003	1
ROLLER,CAM CHAIN GUI (Ref # 13)	12055-002	1
TENSIONER ASSY,CHAIN (Ref # 14)	12048-001	1
ROD ASSY,PUSH (Ref # 15)	13116-1008	1
SPRING,TENSIONER (Ref # 16)	92081-1068	1
RETAINER (Ref # 17)	14020-1002	1
COLLAR, TENSIONER (Ref # 18)	92027-1102	1
SPRING (Ref # 19)	92081-146	1
GASKET,TENSIONER (Ref # 20)	11009-1980	1
TENSIONER KIT (Ref # 21)	99996-1021	1
WASHER OIL PUMP BANJ (Ref # 22)	92022-077	1
BELT,TENSIONER ADJUS (Ref # 23)	92001-1155	1
BOLT,FLANGED,6X30 (Ref # 24)	130G0630	1