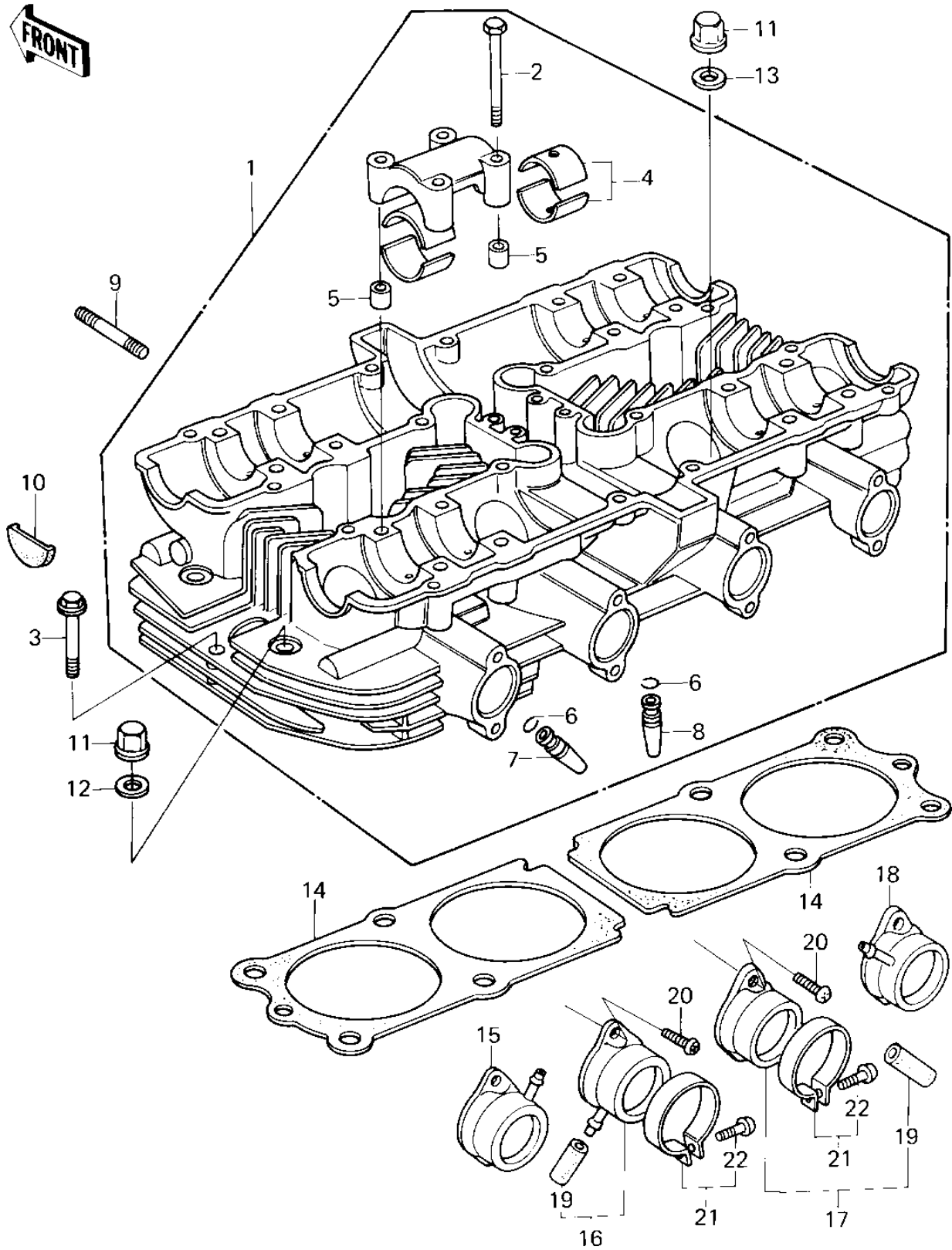


1980 Z1R PARTS DIAGRAM

CYLINDER HEAD ('80 D3)



1980 Z1R PARTS LIST

CYLINDER HEAD ('80 D3)

ITEM NAME	PART NUMBER	QUANTITY
CYLINDER HEAD (Ref # 1)	11002-1010	1
BOLT,6X43 (Ref # 2)	92002-1881	1
BOLT,HEX HEAD,6X45 (Ref # 3)	92003-092	1
BUSHING,CAMSHAFT (Ref # 4)	13034-030	1
PIN-DOWEL (Ref # 5)	92042-007	1
CIRCLIP-VALVE (Ref # 6)	92036-023	1
GUIDE,INLET VALVE (Ref # 7)	12013-009	1
GUIDE,EXHAUST VALVE (Ref # 8)	49002-1002	1
STUD,8X30 (Ref # 9)	92004-1069	1
PLUG,CAM SHAFT (Ref # 10)	92066-017	1
NUT,CYLINDER HEAD (Ref # 11)	92015-076	1
WASHER,PLAIN,10MM (Ref # 12)	92022-215	1
WASHER PLAIN 10MM (Ref # 13)	411B1000	1
GASKET,CYLINDER HEAD (Ref # 14)	11004-076	1
HOLDER,CARBURETOR,L. (Ref # 15)	16065-029	2
HOLDER-R.H CARBRETOR (Ref # 17)	16065-028	2
RUBBER PLUG (Ref # 19)	92068-006	1
SCREW PAN HEAD 6X18 (Ref # 20)	220B0618	1
CLAMP,HOLDER (Ref # 21)	92037-077	1
SCREW,PAN HEAD (Ref # 22)	92011-037	1