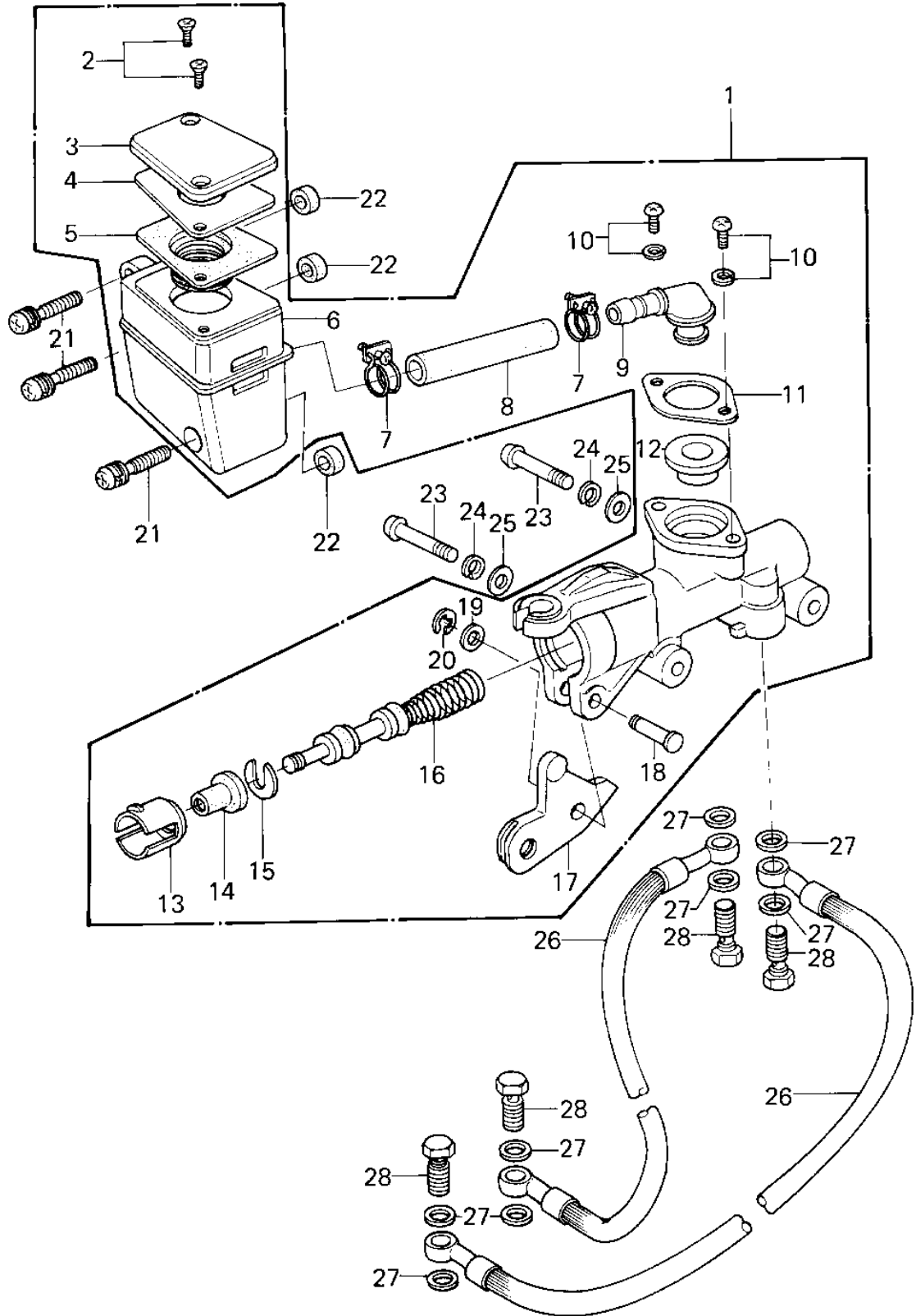


## 1978 Z1R PARTS DIAGRAM

FRONT MASTER CYLINDER ('78 D1)



## 1978 Z1R PARTS LIST

FRONT MASTER CYLINDER ('78 D1)

ITEM NAME	PART NUMBER	QUANTITY
CYLINDER ASSY,MASTER (Ref # 1)	43015-1012	1
SCREW,COUNTERSUNK HE (Ref # 2)	92001-1055	1
CAP,BRAKE (Ref # 3)	43026-1004	1
PLATE,DIAPHRAGM (Ref # 4)	43027-1003	1
DIAPHRAGM (Ref # 5)	43028-1003	1
RESERVOIR (Ref # 6)	43078-1005	1
CLAMP (Ref # 7)	92033-1007	1
HOSE,BRAKE (Ref # 8)	43059-1009	1
CONNECTOR (Ref # 9)	13159-1003	1
BOLT,PLATE FITTING (Ref # 10)	92001-1081	1
PLATE (Ref # 11)	13169-1081	1
DUST SEAL (Ref # 12)	43049-1005	1
LINER,PISTON (Ref # 13)	14008-1007	1
DUST COVER (Ref # 14)	49016-1010	1
STOPER,PISTON (Ref # 15)	43022-1001	1
PISTON ASSY (Ref # 16)	43020-1008	1
LEVER,BRAKE (Ref # 17)	43001-1016	1
PIN,BRAKE LEVER FITT (Ref # 18)	92043-1017	1
WASHER,BRAKE LEVER F (Ref # 19)	92022-1042	1
CIRCLIP (Ref # 20)	92033-1006	1
SCREW,PAN HEAD,6X28 (Ref # 21)	92009-1031	1
DAMPER RUBBER (Ref # 22)	92075-1038	1
SCREW PAN HEAD 6X45 (Ref # 23)	220B0645	1
WASHER SPRING 6MM (Ref # 24)	461F0600	1
WASHER PLAIN 6MM (Ref # 25)	411B0600	1
HOSE,CALIPER BRAKE (Ref # 26)	43059-033	1
WASHER-OIL BOLT (Ref # 27)	43067-001	1
BOLT,OIL,L=23 (Ref # 28)	92002-1888	1