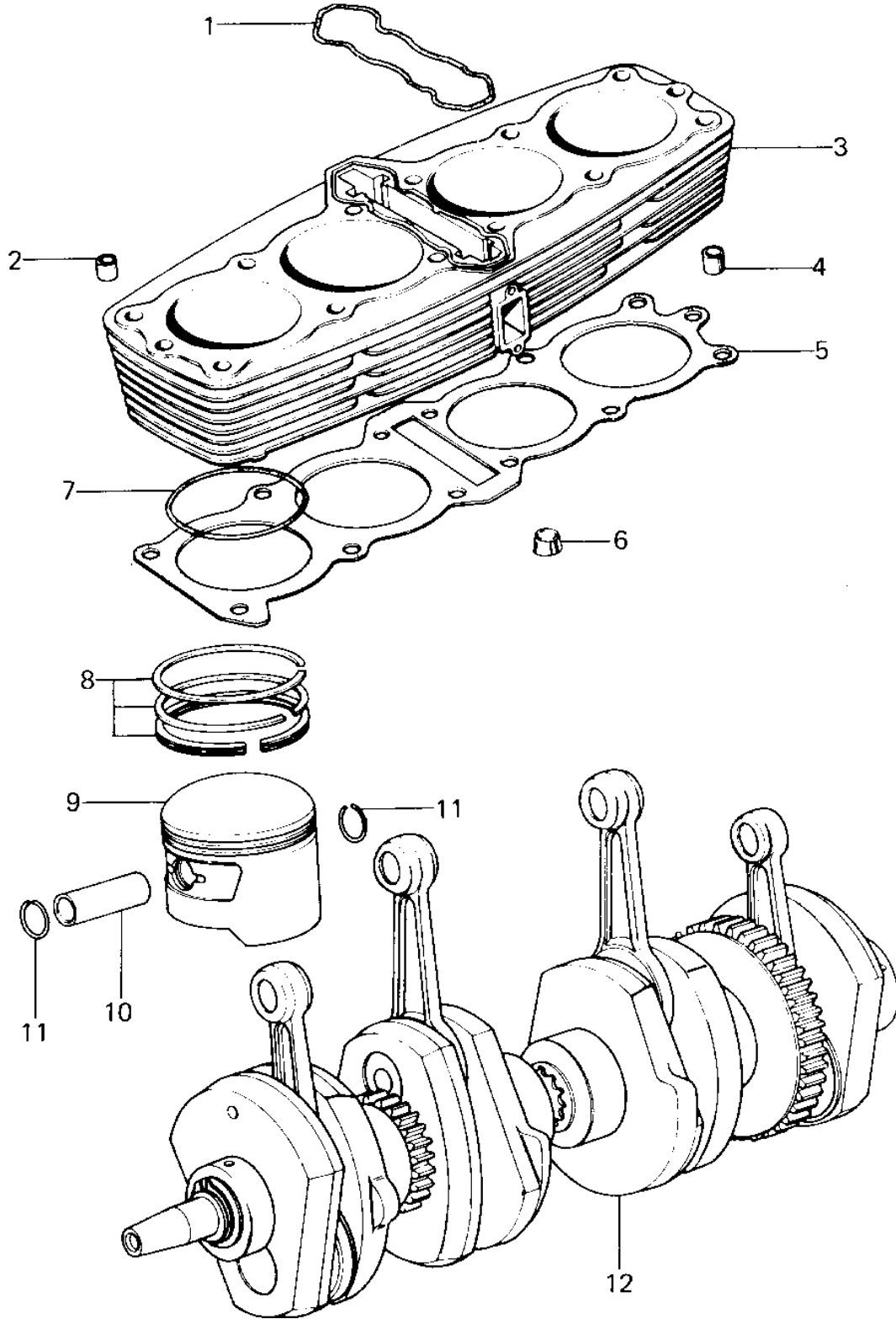


## 1978 Z1R PARTS DIAGRAM

CYLINDER/PISTONS/CRANKSHAFT ('78 D1)



## 1978 Z1R PARTS LIST

CYLINDER/PISTONS/CRANKSHAFT ('78 D1)

ITEM NAME	PART NUMBER	QUANTITY
GASKET,CYLINDER RUBE (Ref # 1)	92055-062	1
PIN,DOWEL,10X8.2X14 (Ref # 2)	92043-1037	1
CYLINDER,FLAT BLACK (Ref # 3)	11005-1009-21	1
PIN,11X14X12.3 (Ref # 4)	92043-1266	1
GASKET,CYLINDER BASE (Ref # 5)	11009-030	1
RUBBER PLUG,CYLINDER (Ref # 6)	92074-030	1
"O" RING,73MM (Ref # 7)	92055-054	1
RING SET,STD (Ref # 8)	13008-5012	1
RING SET,0.020"O/S (Ref # 8)	13025-5007	1
RING SET,0.040"O/S (Ref # 8)	13024-5008	1
PISTON,S.T.D (Ref # 9)	13001-1005	1
PISTON,0.020 O/S (Ref # 9)	13029-1003	1
PISTON,0.040"O/S (Ref # 9)	13027-1003	1
PIN-PISTON (Ref # 10)	13002-022	1
CIRCLIP,PISTON PIN (Ref # 11)	92036-021	1
CRANKSHAFT ASSY (Ref # 12)	13031-1006	1