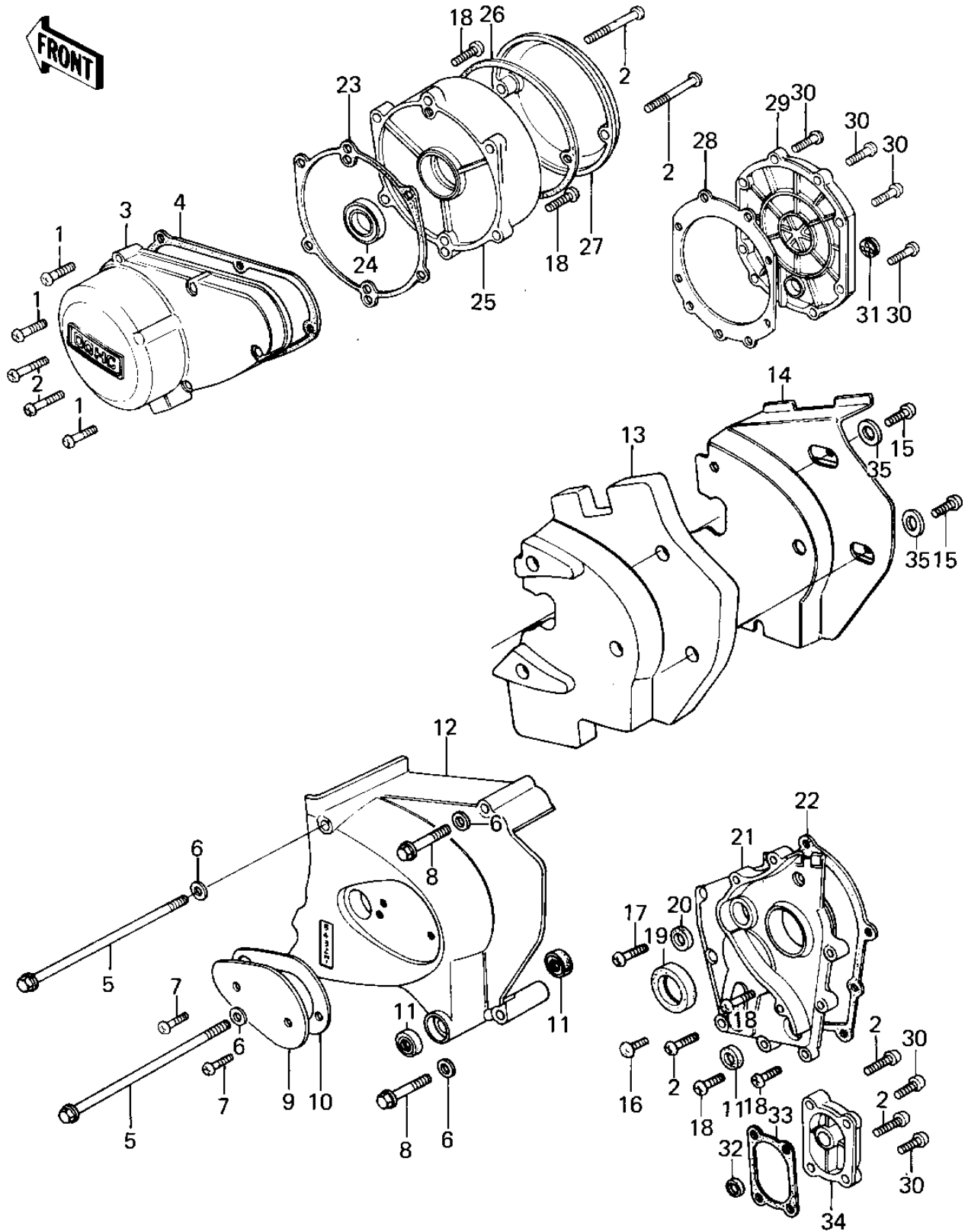


1977 KZ1000 PARTS DIAGRAM

ENGINE COVERS ('77-'78 A1/A2/A2A)



1977 KZ1000 PARTS LIST

ENGINE COVERS ('77-'78 A1/A2/A2A)

| ITEM NAME | PART NUMBER | QUANTITY |
|----------------------------------|--------------|----------|
| SCREW PAN HEAD 6X30 (Ref # 1) | 220B0630 | 1 |
| SCREW PAN HEAD 6X40 (Ref # 2) | 220B0640 | 1 |
| COVER,L.H ENGINE (Ref # 3) | 14031-100-80 | 1 |
| GASKET,GENERATOR COV (Ref # 4) | 14045-014 | 1 |
| BOLT-UPSET,6X125 (Ref # 5) | 110G06125 | 1 |
| WASHER PLAIN 6MM (Ref # 6) | 410B0600 | 1 |
| SCREW PAN HEAD 6X16 (Ref # 7) | 220B0616 | 1 |
| BOLT,6X70 (Ref # 8) | 110G0671 | 1 |
| COVER,OIL PUMP (Ref # 9) | 14026-012 | 1 |
| GASKET,OIL PUMP,COVER (Ref # 10) | 14045-015 | 1 |
| OIL SEAL SB12205 (Ref # 11) | 92049-004 | 1 |
| COVER,FRONT CHAIN (Ref # 12) | 14026-039-80 | 1 |
| COVER,FRONT CHAIN (Ref # 13) | 92075-314 | 1 |
| COVER,SOUND ARRESTER (Ref # 14) | 14024-012 | 1 |
| SCREW PAN HEAD 6X10 (Ref # 15) | 220B0610 | 1 |
| SCREW PAN HEAD 6X60 (Ref # 16) | 220B0660 | 1 |
| SCREW PAN HEAD 6X28 (Ref # 17) | 220B0628 | 1 |
| SCREW PAN HEAD 6X22 (Ref # 18) | 220B0622 | 1 |
| OIL SEAL SC325210 (Ref # 19) | 92050-024 | 1 |
| OIL SEAL,TC7187 (Ref # 20) | 92050-048 | 1 |
| COVER,TRANSMISSION (Ref # 21) | 14025-007 | 1 |
| GASKET,MISSION COVER (Ref # 22) | 14058-004 | 1 |
| GASKET,RH ENGINE COV (Ref # 23) | 14046-023 | 1 |
| OIL SEAL,S25407R (Ref # 24) | 92050-047 | 1 |
| COVER,R.H ENGINE (Ref # 25) | 14032-083 | 1 |
| GASKET,POINT CAP (Ref # 26) | 14050-006 | 1 |
| COVER,BREAKER POINT (Ref # 27) | 14027-023-80 | 1 |
| GASKET,CLUTCH (Ref # 28) | 14046-024 | 1 |
| COVER,CLUTCH (Ref # 29) | 14032-121 | 1 |

1977 KZ1000 PARTS LIST

ENGINE COVERS ('77-'78 A1/A2/A2A)

| ITEM NAME | PART NUMBER | QUANTITY |
|---------------------------------|--------------|----------|
| SCREW PAN HEAD 6X25 (Ref # 30) | 220B0625 | 1 |
| GAUGE,OIL LEVEL (Ref # 31) | 52015-004 | 1 |
| OIL SEAL,SC22325 (Ref # 32) | 92049-001 | 1 |
| GASKET,KICK COVER (Ref # 33) | 14046-025 | 1 |
| COVER,KICK SHAFT,BAR (Ref # 34) | 14032-075-2H | 1 |
| WASHER PLAIN 6MM (Ref # 35) | 411B0600 | 1 |