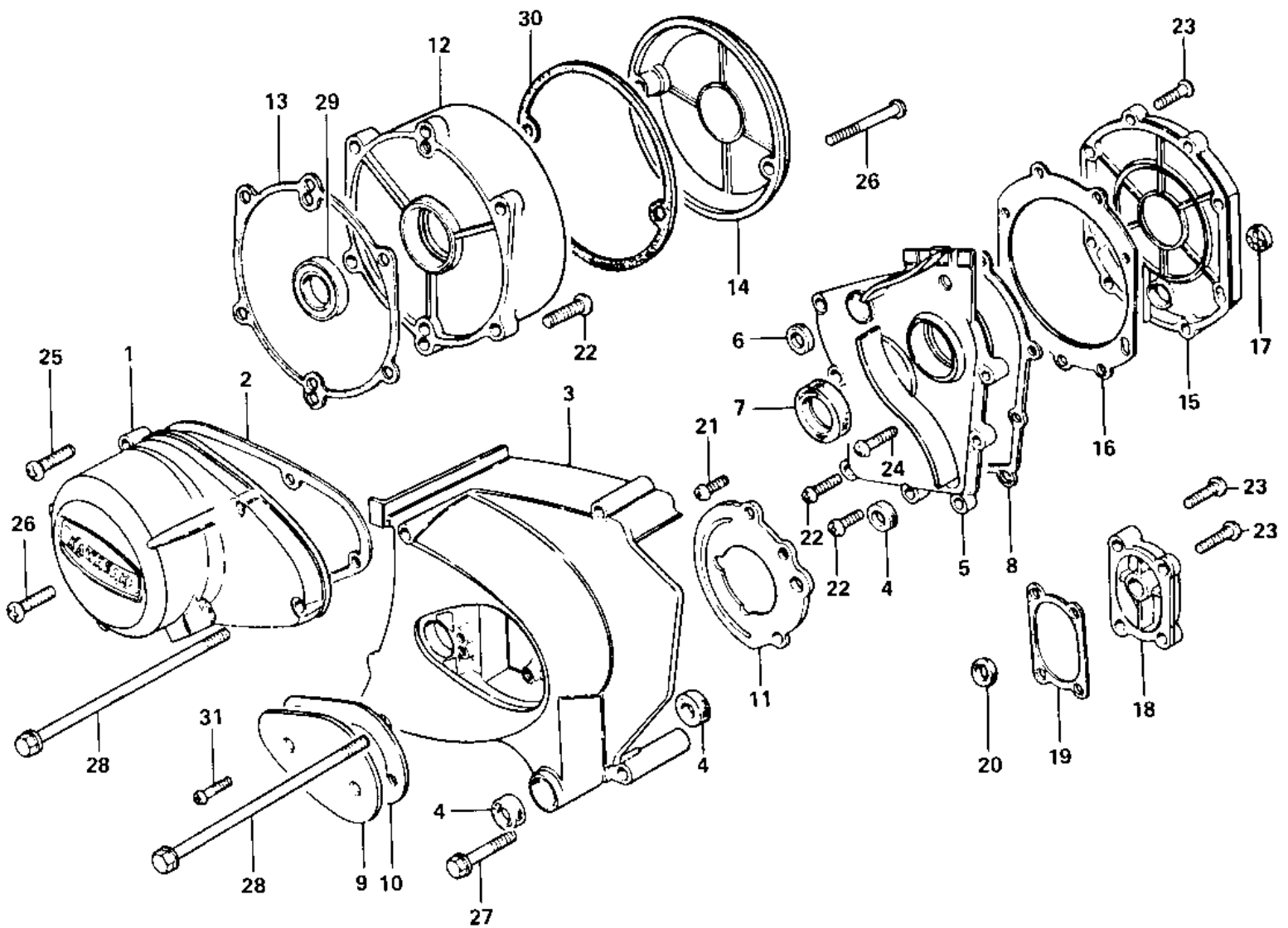


1976 900 LTD PARTS DIAGRAM

ENGINE COVERS



1976 900 LTD PARTS LIST

ENGINE COVERS

ITEM NAME	PART NUMBER	QUANTITY
COVER,L.H ENGINE (Ref # 1)	14031-1020	2
GASKET,GENERATOR COV (Ref # 2)	11060-1075	1
COVER,FRONT CHAIN (Ref # 3)	14026-026	1
OIL SEAL SB12205 (Ref # 4)	92049-004	1
COVER,TRANSMISSION (Ref # 5)	14025-1106	1
OIL SEAL,TC7187 (Ref # 6)	92050-048	1
OIL SEAL SC325210 (Ref # 7)	92050-024	1
GASKET,MISSION COVER (Ref # 8)	14058-004	1
COVER,OIL PUMP (Ref # 9)	14026-012	1
GASKET,CHAIN COVER (Ref # 10)	14045-015	1
COVER,ENGINE SPROCKE (Ref # 11)	14024-008	1
COVER,R.H ENGINE (Ref # 12)	14032-083	1
GASKET,RH ENGINE COV (Ref # 13)	11060-1071	1
COVER,BREAKER POINT (Ref # 14)	14027-023-80	1
COVER,CLUTCH (Ref # 15)	14032-121	1
GASKET,CLUTCH (Ref # 16)	14046-024	1
GAUGE,OIL LEVEL (Ref # 17)	52015-004	1
COVER,KICK SHAFT,BAR (Ref # 18)	14032-075-2H	1
GASKET,KICK COVER (Ref # 19)	14046-025	1
OIL SEAL,SC22325 (Ref # 20)	92049-1048	1
SCREW PAN HEAD 6X12 (Ref # 21)	220B0612	2
SCREW PAN HEAD 6X22 (Ref # 22)	220B0622	1
SCREW PAN HEAD 6X25 (Ref # 23)	220B0625	1
SCREW PAN HEAD 6X28 (Ref # 24)	220B0628	1
SCREW PAN HEAD 6X30 (Ref # 25)	220B0630	1
SCREW PAN HEAD 6X40 (Ref # 26)	220B0640	1
BOLT,6X70 (Ref # 27)	110G0670	1
BOLT-UPSET,6X125 (Ref # 28)	112G06125	1
OIL SEAL,S25407R (Ref # 29)	92050-047	1

1976 900 LTD PARTS LIST

ENGINE COVERS

ITEM NAME	PART NUMBER	QUANTITY
GASKET,POINT CAP (Ref # 30)	14050-006	1