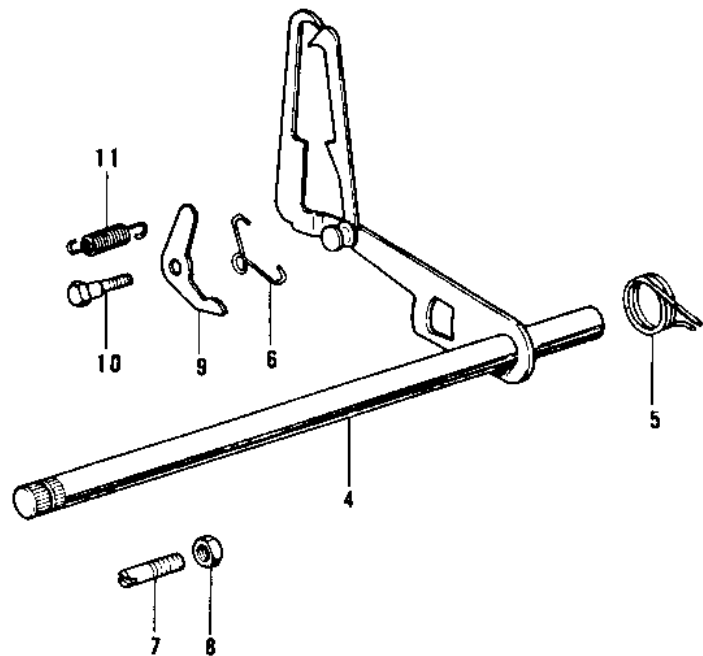
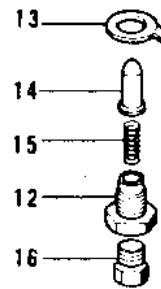
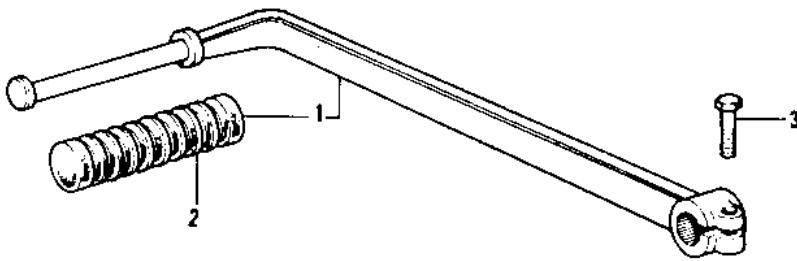


1976 900 LTD PARTS DIAGRAM

GEAR CHANGE MECHANISM



1976 900 LTD PARTS LIST

GEAR CHANGE MECHANISM

ITEM NAME	PART NUMBER	QUANTITY
PEDAL ASSY,GEAR CHAN (Ref # 1)	13242-006	1
RUBBER CHANGE PEDAL (Ref # 2)	13157-004	1
BOLT-UPSET (Ref # 3)	112N0620	1
LEVER ASSY GEAR CHNG (Ref # 4)	13161-029	1
SPRING,CHG PEDL RTRN (Ref # 5)	92083-028	1
SPRING,KICK PAWL (Ref # 6)	92083-018	1
PIN CHANGE PEDAL SPR (Ref # 7)	92043-057	1
NUT 8MM (Ref # 8)	312B0800	1
LEVER,GEAR CHNG DRUM (Ref # 9)	13168-024	1
BOLT,CHANGE DRUM LEV (Ref # 10)	92150-1450	1
SPRING CHNG DRUM LEV (Ref # 11)	92081-051	1
BOLT,CHG DRUM POSITN (Ref # 12)	92001-112	1
WASHER,LOCK (Ref # 13)	92024-047	1
PIN (Ref # 14)	92043-085	1
SPRING (Ref # 15)	92081-106	1
BOLT (Ref # 16)	92001-119	1