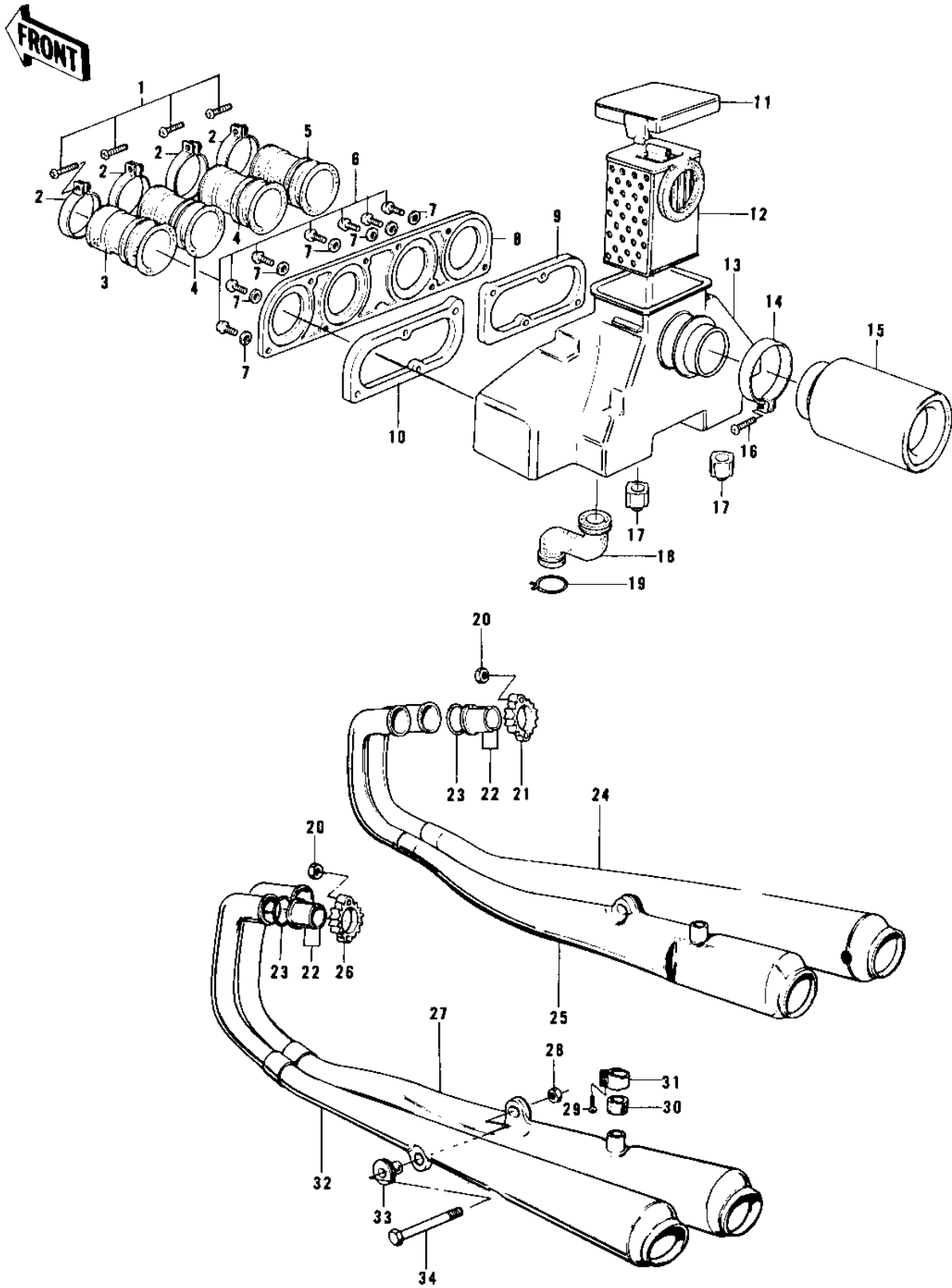


1976 KZ900 PARTS DIAGRAM

AIR CLEANER/MUFFLERS



1976 KZ900 PARTS LIST

AIR CLEANER/MUFFLERS

ITEM NAME	PART NUMBER	QUANTITY
SCREW, PAN HEAD 5X35 (Ref # 1)	220B0535A	1
CLAMP-INLET PIPE (Ref # 2)	92037-061	1
INLET PIPE,L.H. OUTSIDE (Ref # 3)	14073-1022	2
INLET PIPE, L.H.INSIDE&R.H INSIDE (Ref # 4)	14073-1023	2
INLET PIPE, R.H. OUTSIDE (Ref # 5)	14073-1024	2
SCREW PAN HEAD 4X16 (Ref # 6)	220B0416A	1
WASHER PLAIN 4MM (Ref # 7)	410B0400	1
HOLDER, INLET PIPE (Ref # 8)	11040-001	1
PLATE,CARBURETOR HOLD (Ref # 9)	11040-003	1
PLATE,CARBURETOR HOLD (Ref # 10)	11040-002	1
CAP,AIR CLEANER BODY (Ref # 11)	11012-068	1
ELEMENT,AIR CLNR (Ref # 12)	11013-054	1
BODY,AIR CLEANER (Ref # 13)	11011-054	1
CLAMP (Ref # 14)	92037-106	1
SILENCER (Ref # 15)	11016-008	1
SCREW-PAN HEAD,5X50 (Ref # 16)	220B0550A	1
CAP,DRAIN (Ref # 17)	11012-063	1
TUBE,DRAIN (Ref # 18)	92059-124	1
CLAMP BREATHER PIPE (Ref # 19)	92037-028	1
NUT,LOCK 6MM (Ref # 20)	92017-014	1
HOLDER,EXHAUST PIPE (Ref # 21)	18069-045	1
INSERT,EXHAUST PIPE (Ref # 22)	92027-170	1
GASKET,EXHAUST PIPE H (Ref # 23)	18067-018	1
MUFFLER ASSY,R.H UPP (Ref # 24)	18001-230	1
MUFFLER ASSY,R.H LOW (Ref # 25)	18001-229	1
HOLDER,EXHAUST PIPE (Ref # 26)	18069-046	1
MUFFLER ASSY,L.H LOW (Ref # 27)	18001-228	1
NUT,LOCK,10MM (Ref # 28)	92019-021	1
SCREW PAN HEAD 6X16 (Ref # 29)	220B0616	1

1976 KZ900 PARTS LIST

AIR CLEANER/MUFFLERS

ITEM NAME	PART NUMBER	QUANTITY
PIPE,MUFFLER CONNECT (Ref # 30)	92059-120	1
CLAMP,MUFFLER CONNECT (Ref # 31)	92037-103	1
MUFFLER ASSY,L.H UPP (Ref # 32)	18001-227	1
BUSHING,MUFFLER FITT (Ref # 33)	92092-010	1
BOLT,HEX HEAD,10X104 (Ref # 34)	92003-180	1