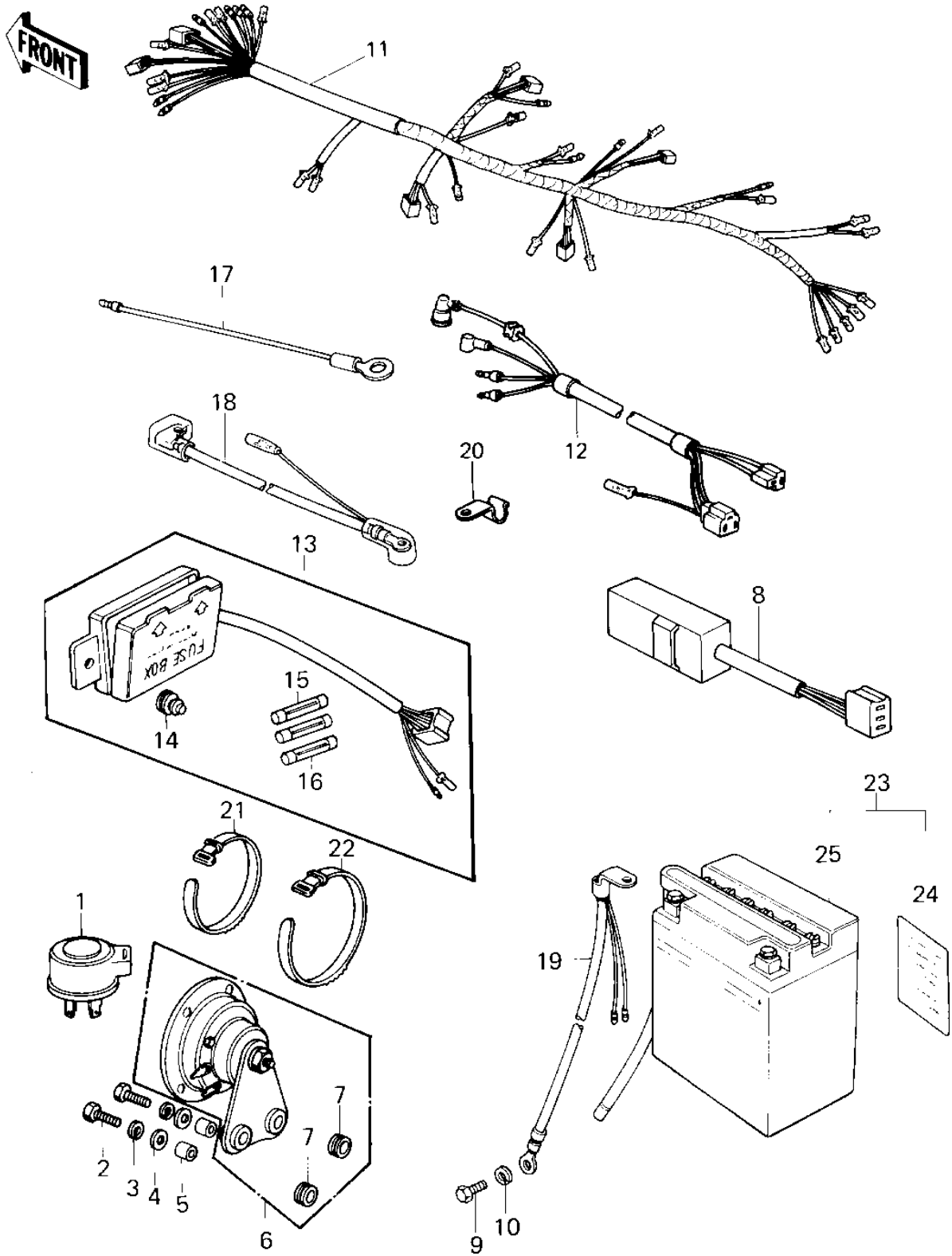


## 1980 750 LTD-2 PARTS DIAGRAM

CHASSIS ELECTRICAL EQUIPMENT



## 1980 750 LTD-2 PARTS LIST

### CHASSIS ELECTRICAL EQUIPMENT

ITEM NAME	PART NUMBER	QUANTITY
RELAY-TURN SIGNAL (Ref # 1)	27002-011	1
BOLT HEX HEAD 8X28 (Ref # 2)	114G0828	1
WASHER SPRING 8MM (Ref # 3)	461F0800	1
WASHER PLAIN 8MM (Ref # 4)	411B0800	1
COLLAR,HORN FITTING (Ref # 5)	92027-271	1
HORN (Ref # 6)	27003-074	1
DAMPER RUBBER,HORN M (Ref # 7)	92075-294	1
SWITCH,OUTAGE,INDICT (Ref # 8)	28019-001	1
BOLT-UPSET,6X12 (Ref # 9)	112G0612	1
WASHER SPRING 6MM (Ref # 10)	461F0600	1
WIRING HARNESS,MAIN (Ref # 11)	26001-1102	1
WIRING HARNESS (Ref # 12)	26001-1024	1
FUSE ASSY (Ref # 13)	26004-035	1
DAMPER RUBBER,FUSE (Ref # 14)	92075-279	1
FUSE-20A (Ref # 15)	26006-005	1
FUSE 10A (Ref # 16)	26006-003	1
LEAD WIRE,SIGNAL LAM (Ref # 17)	26011-063	1
WIRE-LEAD,BATTERY (Ref # 18)	26011-1146	2
CLAMP (Ref # 20)	92037-1044	1
BAND,SHORT (Ref # 21)	92072-030	1
BAND,WIRING HARNESS (Ref # 22)	92072-056	1
YUA BAT YB14L-A2 (Ref # 23)	26012-1008	2
LABEL-WARNING,BATTER (Ref # 24)	56040-1036	1