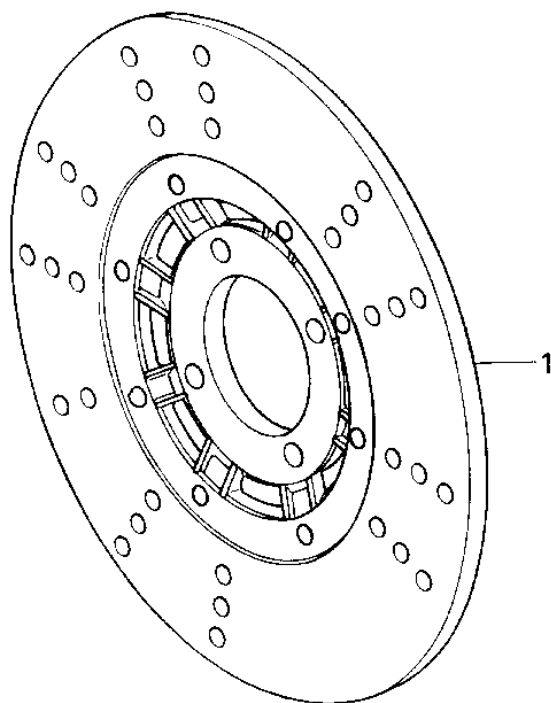
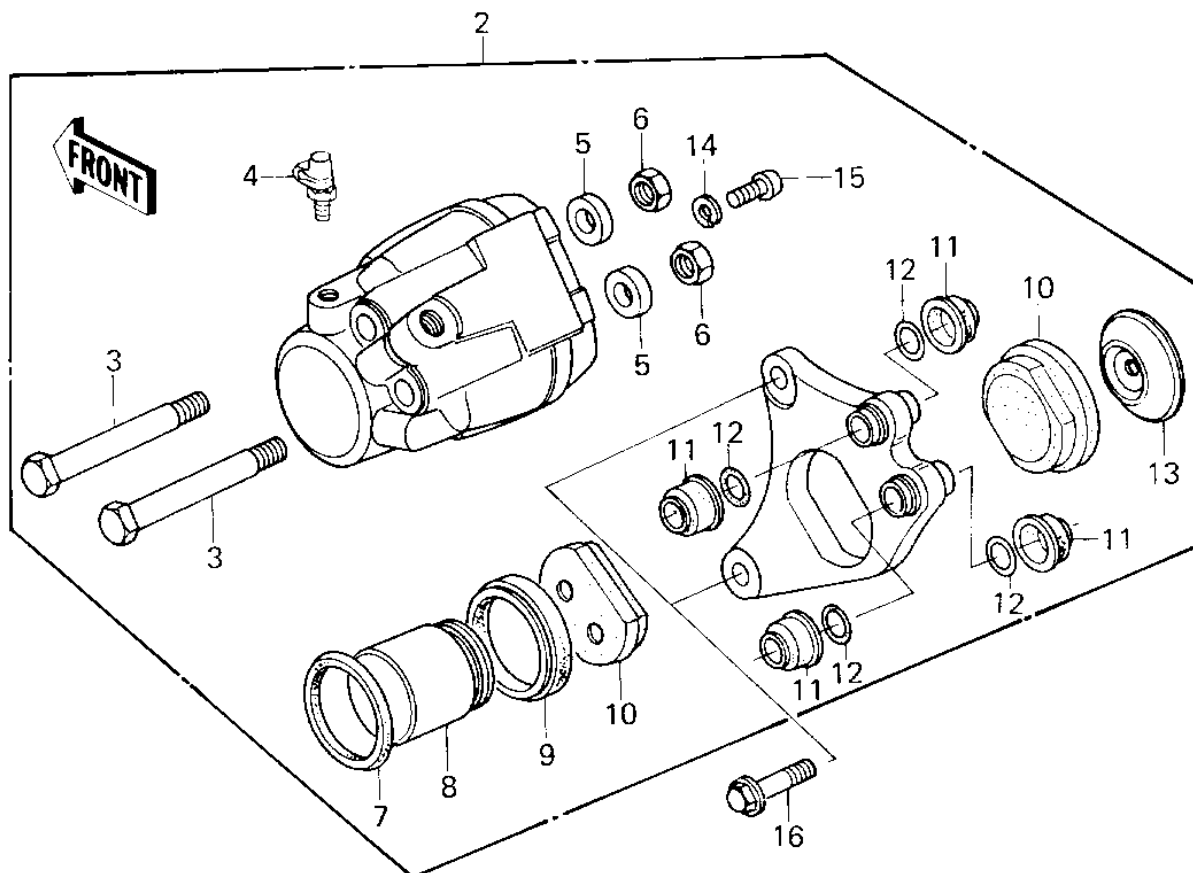


1980 750 LTD-2 PARTS DIAGRAM

FRONT BRAKE



1980 750 LTD-2 PARTS LIST

FRONT BRAKE

ITEM NAME	PART NUMBER	QUANTITY
DISC PLATE,FRONT BRA (Ref # 1)	41080-1022	1
CALIPER ASSY,L.H, (Ref # 2)	43041-1024	1
BOLT (Ref # 3)	43045-006	1
BLEEDER SET (Ref # 4)	43085-001	1
PLUG (Ref # 5)	43088-002	1
NUT 10MM (Ref # 6)	315B1000	1
RING,PISTON SEAL (Ref # 7)	43049-002	1
PISTON,BRAKE,42M/M (Ref # 8)	43020-1012	1
DUST SEALD,RUBBER (Ref # 9)	43054-003	1
PAD SET (Ref # 10)	43082-1001	1
DUST SHILD,SHAFT (Ref # 11)	43052-005	1
"O" RING (Ref # 12)	43053-006	1
SPACER (Ref # 13)	43040-004	1
WASHER SPRING 6MM (Ref # 14)	461F0600	1
SCREW PAN HEAD 6X12 (Ref # 15)	220B0612	1
BOLT,HEX HEAD,10X38 (Ref # 16)	92001-1293	1