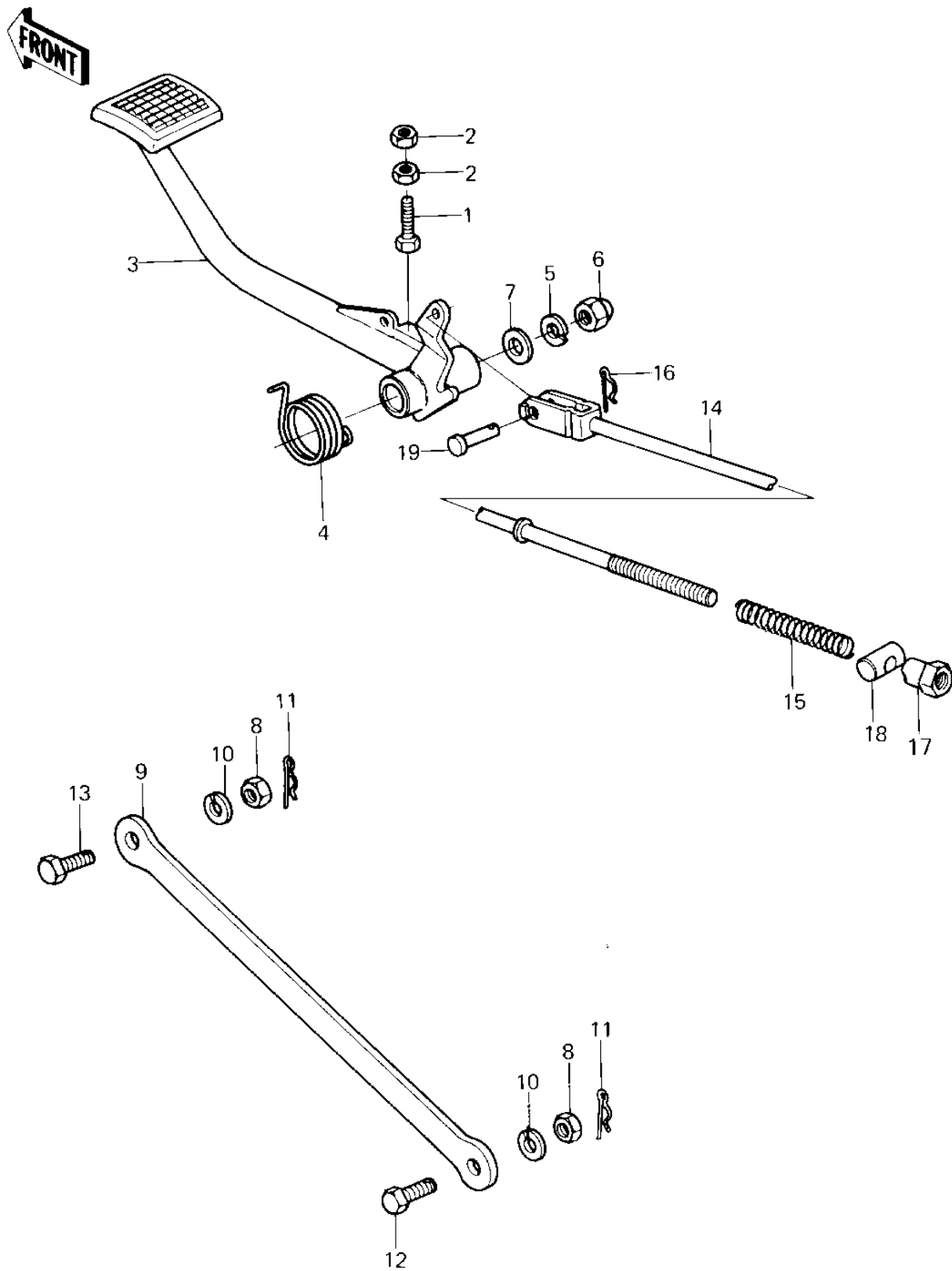


1980 750 LTD-2 PARTS DIAGRAM

BRAKE PEDAL/TORQUE LINK



1980 750 LTD-2 PARTS LIST

BRAKE PEDAL/TORQUE LINK

ITEM NAME	PART NUMBER	QUANTITY
BOLT-UPSET,6X20 (Ref # 1)	112G0620	1
NUT 6MM (Ref # 2)	311B0600	1
PEDAL,BRAKE (Ref # 3)	43001-1038	1
SPRING,BK PEDAL RETN (Ref # 4)	43005-036	1
WASHER SPRING 8MM (Ref # 5)	461F0800	1
NUT,CAP AND LOCK,8MM (Ref # 6)	92019-013	1
WASHER,8.5X20X1.6 (Ref # 7)	92022-1561	1
NUT,10MM (Ref # 8)	314B1000	1
TORQUE ROD (Ref # 9)	43007-1016	1
WASHER SPRING 10MM (Ref # 10)	461F1000	1
PIN,SNAP (Ref # 11)	554A0800	1
BOLT-HEX HEAD,10X40 (Ref # 12)	92003-097	1
BOLT TORQUE LINK FIT (Ref # 13)	92003-103	1
ROD,BRAKE (Ref # 14)	43011-1016	1
SPRING,BRAKE ROD (Ref # 15)	43012-001	1
PIN,SNAP (Ref # 16)	554A0600	1
NUT-BRAKE ROD ADJUST (Ref # 17)	92015-042	1
PIN-BRAKE ROD (Ref # 18)	92043-065	1
PIN,BRAKE ROD FITTIN (Ref # 19)	92043-090	1