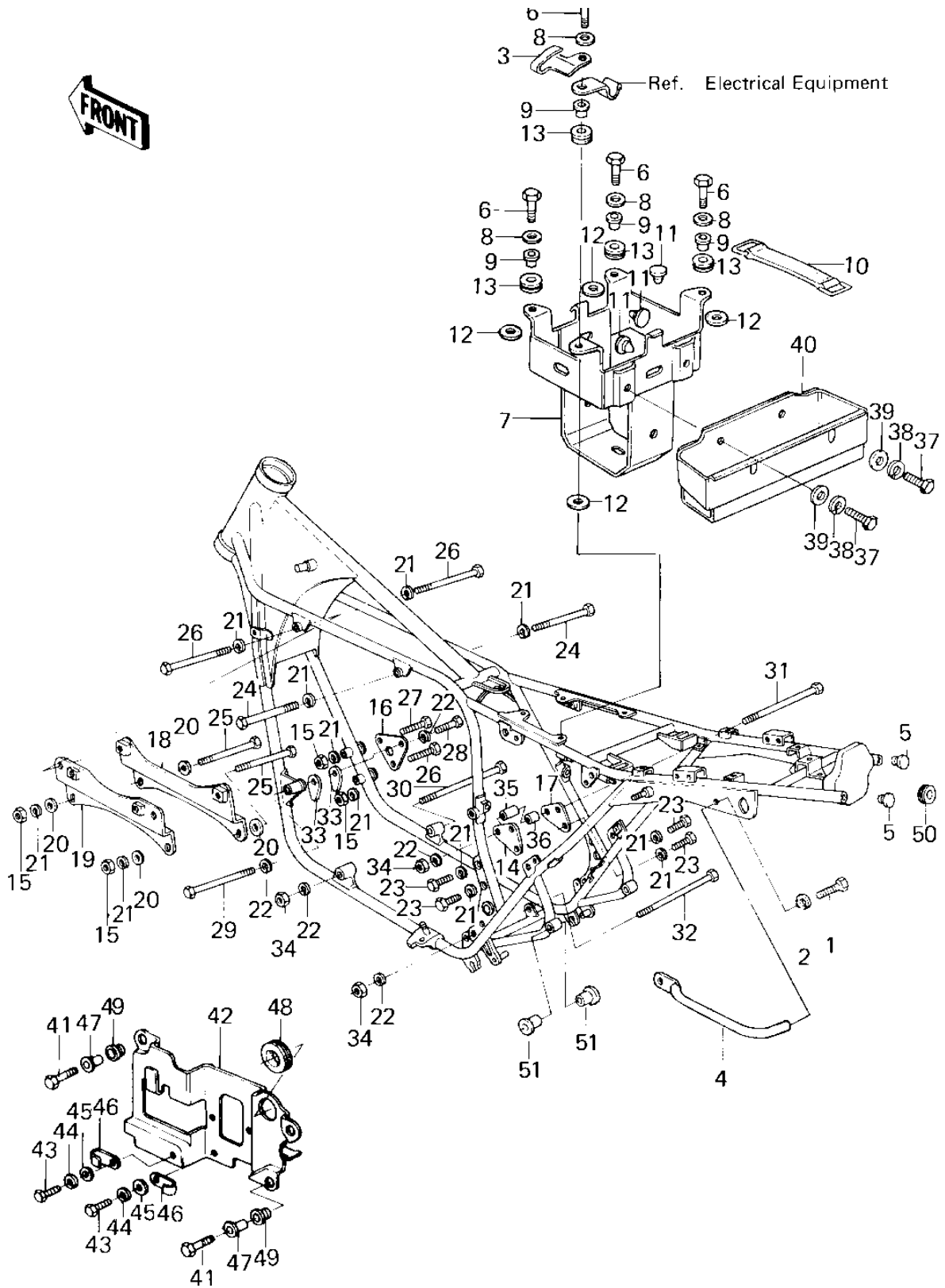


1980 750 LTD-2 PARTS DIAGRAM

FRAME FITTINGS/BATTERY CASE



1980 750 LTD-2 PARTS LIST

FRAME FITTINGS/BATTERY CASE

ITEM NAME	PART NUMBER	QUANTITY
BOLT-SMALL-UPSET,8X1 (Ref # 1)	115G0816	1
WASHER SPRING 8MM (Ref # 2)	461F0800	2
HOOK,HELMET (Ref # 3)	27012-1009	1
GRIP-FRAME (Ref # 4)	32109-1011	1
PLUG,FRAME RUBBER (Ref # 5)	32112-008	1
BOLT-UPSET (Ref # 6)	112G0625	1
CASE,BATTERY (Ref # 7)	32097-1006	1
WASHER 6.5X20X1.6T (Ref # 8)	92022-125	1
COLLAR (Ref # 9)	92027-194	2
BAND,BATTERY (Ref # 10)	92072-071	1
DAMPER RUBBER (Ref # 11)	92075-078	1
DAMPER RUBBER (Ref # 12)	92075-166	1
DAMPER RUBBER (Ref # 13)	92075-277	2
PLATE,REAR ENG MOUNT (Ref # 14)	13169-1048	1
NUT,8MM (Ref # 15)	311B0800	1
PLATE,ENG FIT,FRONT (Ref # 16)	32030-047	1
PLATE,ENG FIT,RR R.H (Ref # 17)	32030-049	1
PLATE,ENG HEAD FITT (Ref # 18)	32030-070	1
PLATE,ENG FITTING,R. (Ref # 19)	32030-071	1
WASHER PLAIN 8MM (Ref # 20)	411B0800	1
WASHER SPRING 10MM (Ref # 22)	461F1000	1
BOLT,FLANGED,8X35 (Ref # 23)	92001-1577	1
BOLT,10X45 (Ref # 24)	92001-1182	1
BOLT FLANGED 8X55 (Ref # 25)	92001-1398	1
BOLT,HEX HEAD,8X59 (Ref # 26)	110G0859	1
BOLT FLANGED,8X70 (Ref # 27)	92001-1583	1
BOLT,HEX HEAD,10X50 (Ref # 28)	92001-1254	1
BOLT,FLANGED,10X70 (Ref # 29)	92001-1618	1
BOLT,FLANGED,10X325 (Ref # 30)	92001-1654	1

1980 750 LTD-2 PARTS LIST

FRAME FITTINGS/BATTERY CASE

ITEM NAME	PART NUMBER	QUANTITY
BOLT (Ref # 31)	92003-185	1
BOLT (Ref # 32)	92003-186	1
NUT (Ref # 33)	92016-055	1
NUT,LOCK,10MM (Ref # 34)	92019-021	1
COLLAR (Ref # 35)	92027-245	1
COLLAR (Ref # 36)	92027-246	1
BOLT-UPSET,6X12 (Ref # 37)	112G0612	2
WASHER SPRING 6MM (Ref # 38)	461F0600	2
WASHER PLAIN 6MM (Ref # 39)	411B0600	1
CASE,TOOL (Ref # 40)	32098-026	1
BOLT-UPSET,6X20 (Ref # 41)	112G0620	1
BRACKET,ELECTRO BASE (Ref # 42)	11034-1104	1
WASHER PLAIN 6MM (Ref # 45)	410B0600	1
CLAMP,WIRING HARNESS (Ref # 46)	21126-008	1
GROMMET (Ref # 48)	92071-092	1
GROMMET (Ref # 50)	92071-059	1
BUSHING,MUFFLER FITT (Ref # 51)	92092-010	1