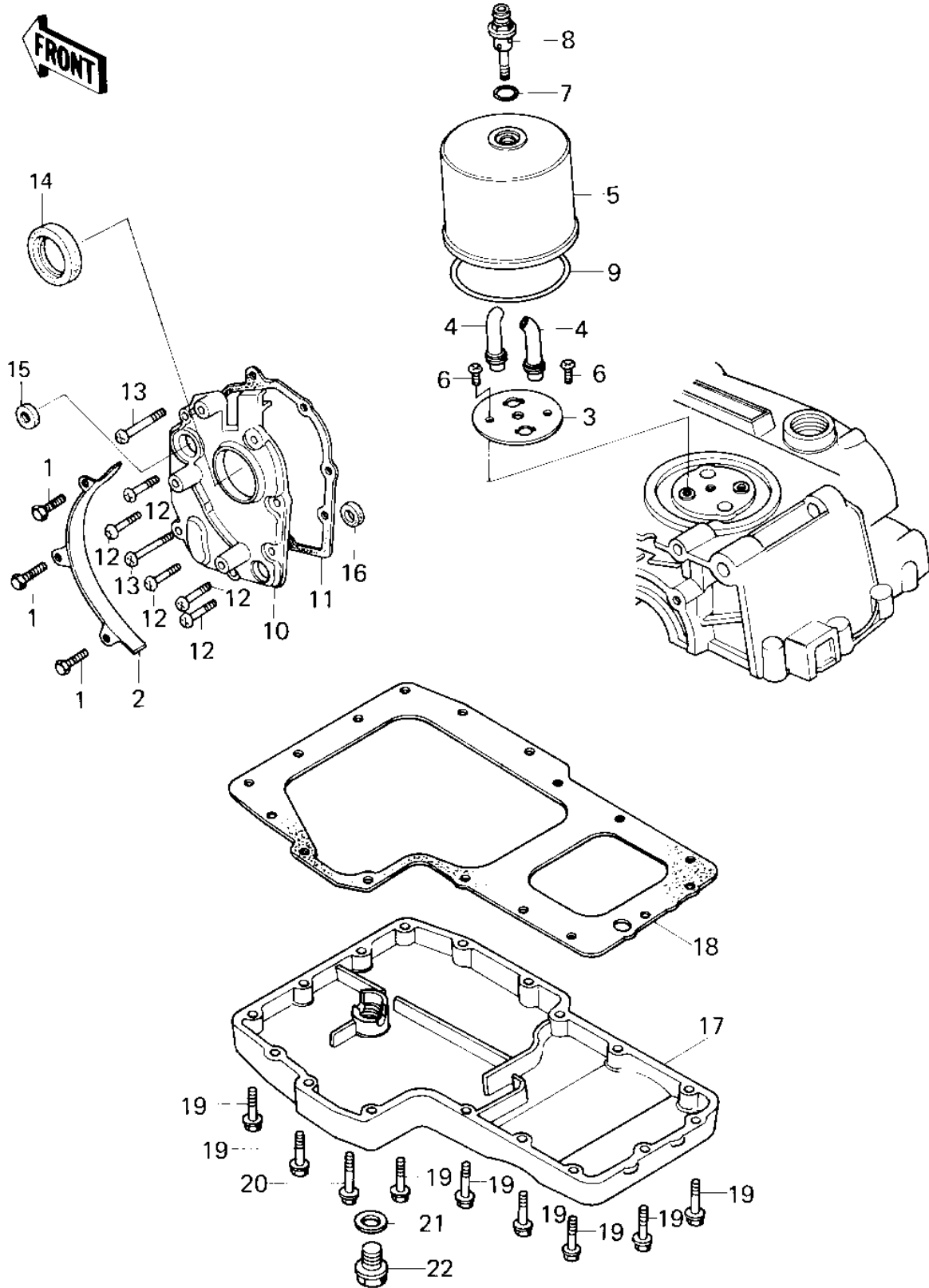


1980 750 LTD-2 PARTS DIAGRAM

BREATHER COVER/OIL PAN



1980 750 LTD-2 PARTS LIST

BREATHER COVER/OIL PAN

ITEM NAME	PART NUMBER	QUANTITY
BOLT-UPSET 6X14 (Ref # 1)	112B0614	1
GUIDE,CHAIN (Ref # 2)	12053-1006	1
PLATE,BREATHER (Ref # 3)	14068-007	1
TUBE,BREATHER (Ref # 4)	92059-140	1
BODY,BREATHER (Ref # 5)	14070-007	1
SCREW PAN HEAD 6X18 (Ref # 6)	220B0618	1
"O" RING,16MM (Ref # 7)	670B2016	1
BOLT,BREATHER FITTIN (Ref # 8)	92003-098	1
"O" RING,91MM (Ref # 9)	92055-052	1
COVER,MISSION (Ref # 10)	14024-011	1
GASKET,TRANSMISSION (Ref # 11)	11060-1056	1
SCREW PAN HEAD 6X22 (Ref # 12)	220B0622	1
SCREW PAN HEAD 6X40 (Ref # 13)	220B0640	1
OIL SEAL SC325210 (Ref # 14)	92050-024	1
OIL SEAL,TC7187 (Ref # 15)	92050-048	1
OIL SEAL,TB13225.5 (Ref # 16)	92051-005	1
PAN,OIL (Ref # 17)	16110-004	1
GASKET,OIL PAN (Ref # 18)	16112-004	1
BOLT,FLANGED,6X25 (Ref # 19)	130G0625	1
BOLT, HEX HEAD, 6X34 (Ref # 20)	92003-159	1
GASKET,DRIN PLUG (Ref # 21)	92065-097	1
PLUG,OIL DRAIN,12X15 (Ref # 22)	92066-1174	1