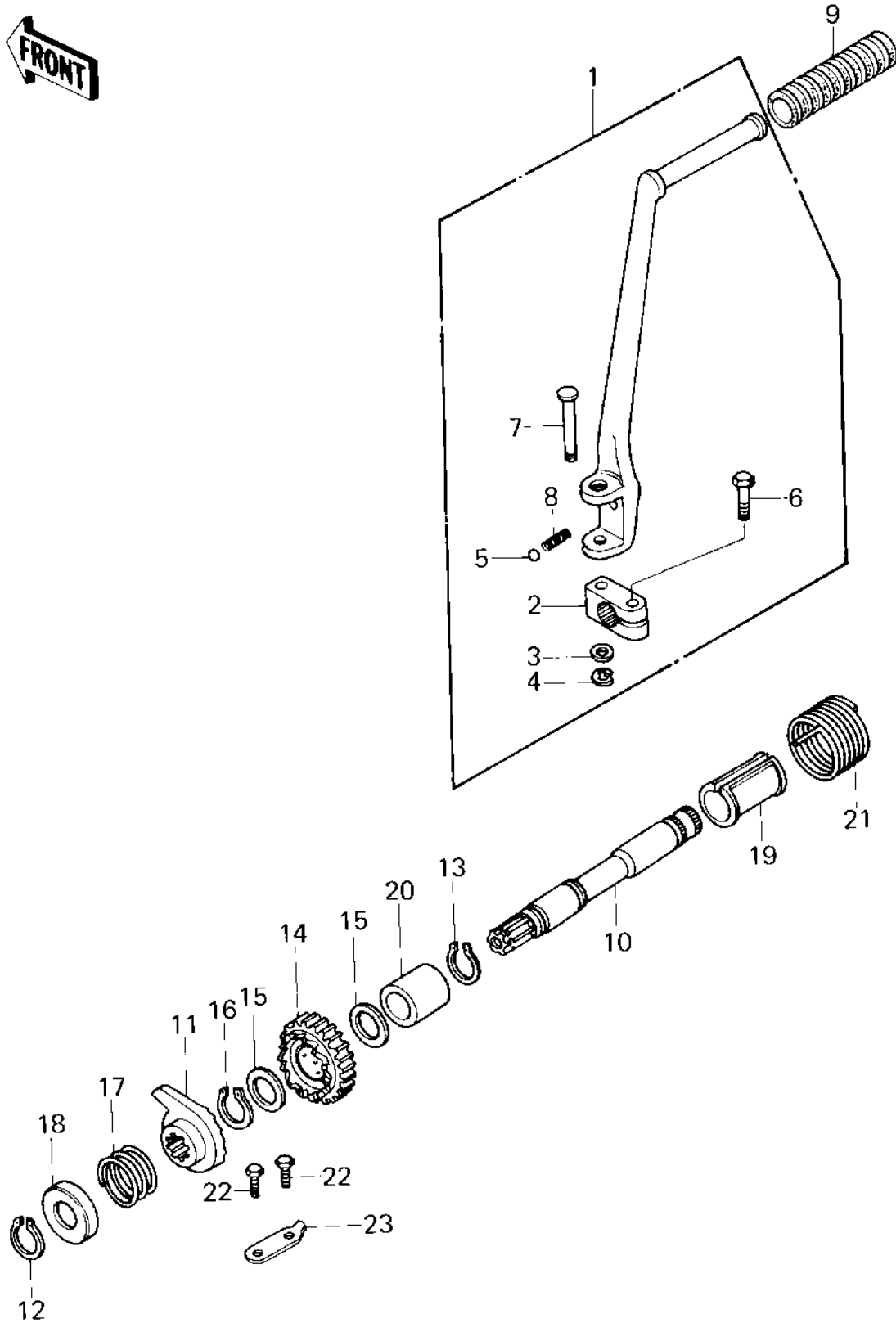


1980 750 LTD-2 PARTS DIAGRAM

KICKSTARTER MECHANISM



1980 750 LTD-2 PARTS LIST

KICKSTARTER MECHANISM

ITEM NAME	PART NUMBER	QUANTITY
PEDAL ASSY,KICK (Ref # 1)	13058-061	1
BOSS-KICK PEDAL (Ref # 2)	13061-010	1
WASHER PLAIN 8MM (Ref # 3)	410B0800	1
CIRCLIP 5MM (Ref # 4)	482K5000	1
BALL STEEL 1/4' (Ref # 5)	600A0800	1
BOLT-KICK PEDAL (Ref # 6)	92001-110	1
PIN-KICK PEDAL (Ref # 7)	92043-081	1
SPRING KICK PEDAL (Ref # 8)	92081-020	1
RUBBER KICK PEDAL (Ref # 9)	13063-004	1
SHAFT,KICKSTARTER (Ref # 10)	13066-1004	1
RATCHET,KICK SHAFT (Ref # 11)	13078-011	1
CIRCLIP,19MM (Ref # 12)	480J1900	1
CIRCLIP,22MM (Ref # 13)	480J2200	1
GEAR,KICKSTARTER (Ref # 14)	59051-1005	1
WASHER,PLAIN,22MM (Ref # 15)	92022-207	1
CIRCLIP,25MM (Ref # 16)	92033-025	1
SPRING RATCHET (Ref # 17)	92081-104	1
CAP,KICKSTARTER (Ref # 18)	92102-008	1
GUID,KICK SPRING (Ref # 19)	13070-1008	1
COLLAR,KICKSHAFT (Ref # 20)	92028-126	1
SPRING,KICKSTARTER (Ref # 21)	92082-004	1
BOLT-UPSET (Ref # 22)	112G0614	1
STOPPER,KICKSTARTER (Ref # 23)	13072-012	1