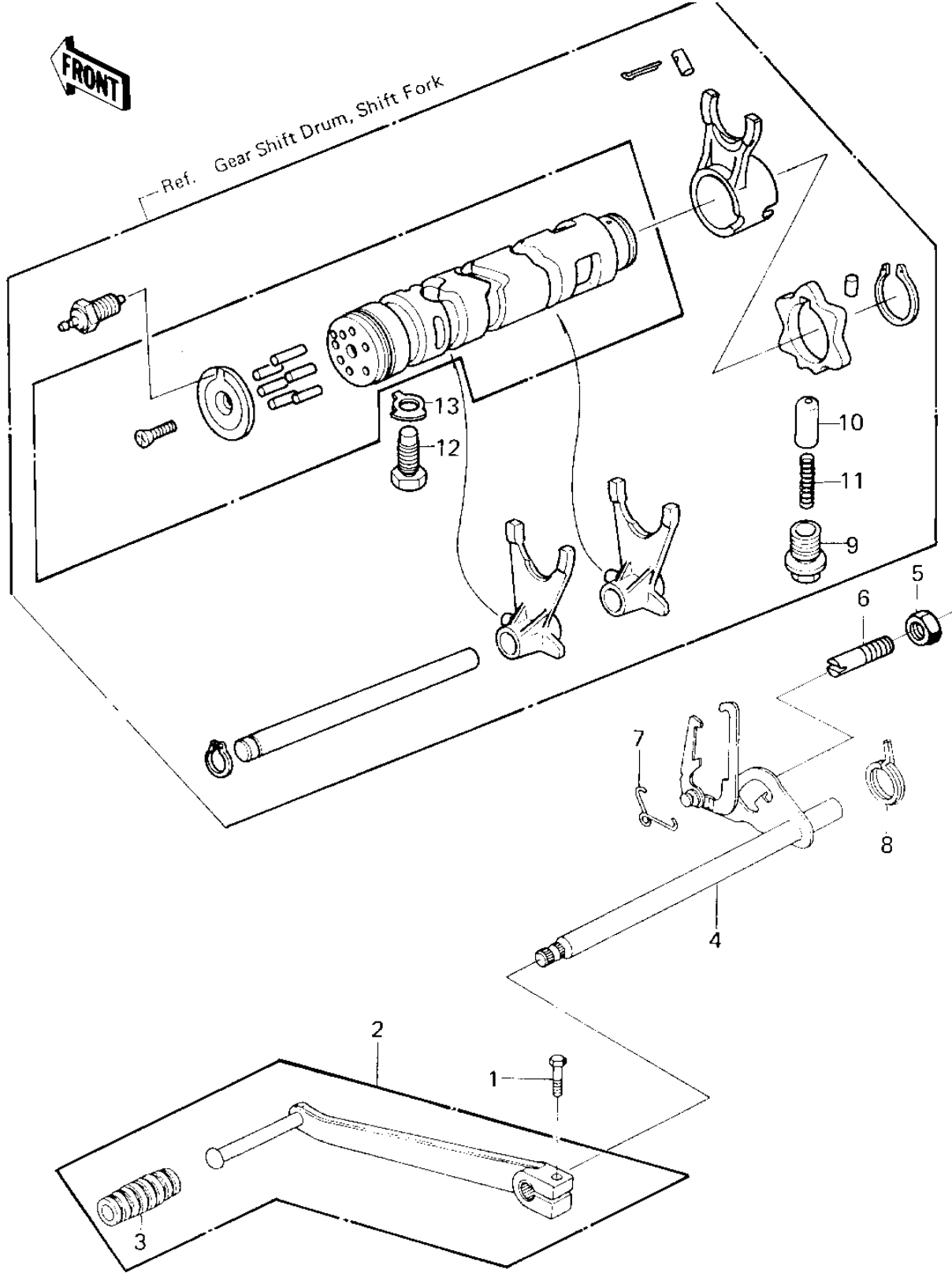


1980 750 LTD-2 PARTS DIAGRAM

GEAR CHANGE MECHANISM



1980 750 LTD-2 PARTS LIST

GEAR CHANGE MECHANISM

ITEM NAME	PART NUMBER	QUANTITY
BOLT-UPSET (Ref # 1)	112N0620	1
LEVER-ASSY-CHANGE (Ref # 2)	13242-1100	1
DAMPER,CHANGE PEDAL (Ref # 3)	92160-1036	1
LEVER ASSY,GEAR SFT (Ref # 4)	13161-042	1
NUT 8MM (Ref # 5)	312B0800	1
PIN CHANGE PEDAL SPR (Ref # 6)	92043-057	1
SPRING,KICK PAWL (Ref # 7)	92083-018	1
SPRING,CHG PEDL RTRN (Ref # 8)	92083-028	1
BOLT,10MM (Ref # 9)	92001-131	1
PIN-NEUTRAL POSITION (Ref # 10)	92043-076	1
SPRING (Ref # 11)	92081-112	1
BOLT,CHG DRUM POSITN (Ref # 12)	92001-1052	1
WASHER,LOCK (Ref # 13)	92024-047	1