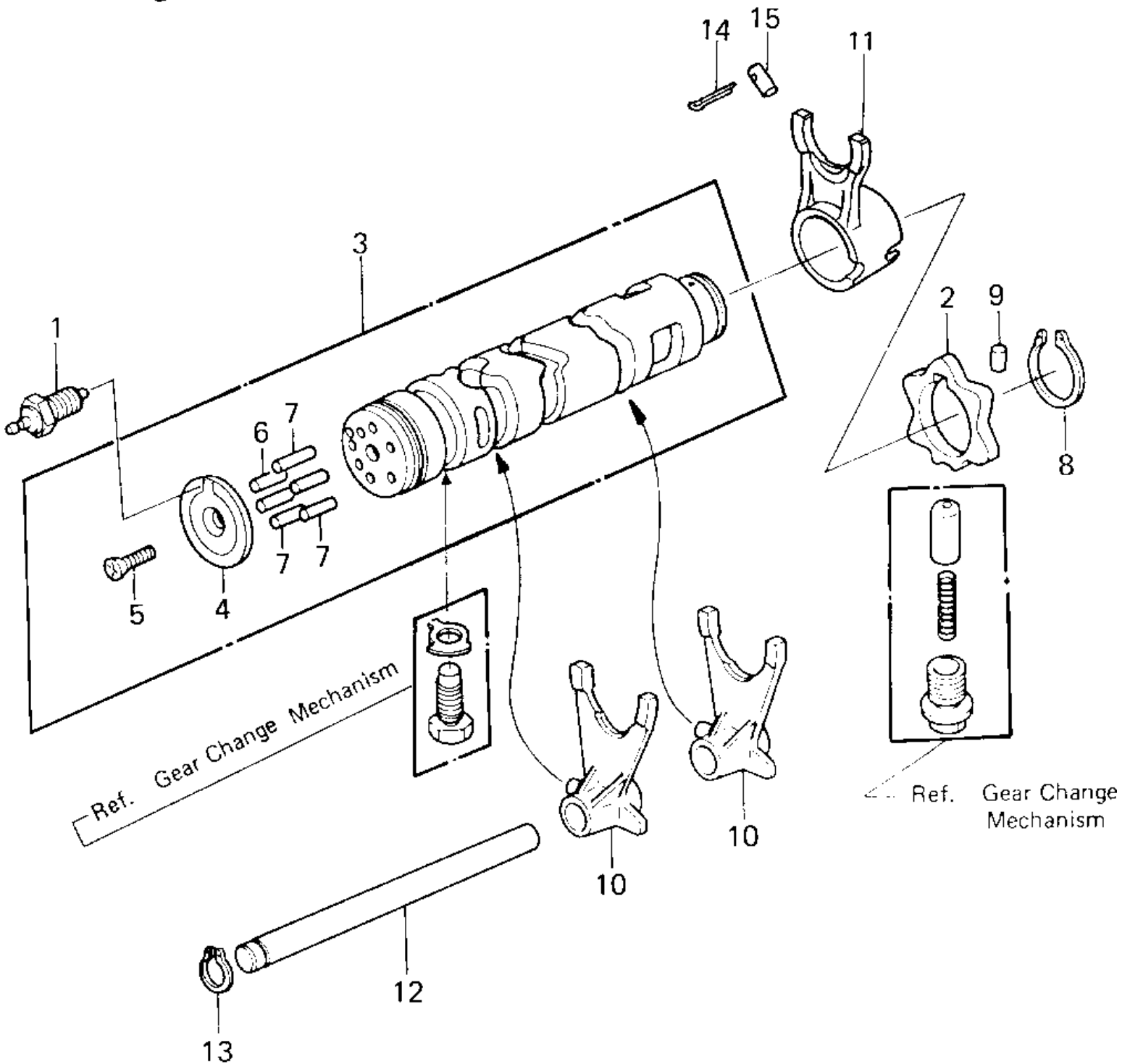


1980 750 LTD-2 PARTS DIAGRAM

GEAR CHANGE DRUM & FORKS



1980 750 LTD-2 PARTS LIST

GEAR CHANGE DRUM & FORKS

ITEM NAME	PART NUMBER	QUANTITY
SWITCH,NEUTRAL (Ref # 1)	13151-5002	1
CAM-CHANGE DRUM (Ref # 2)	13145-1058	1
DRUM ASSY,GEAR SHIFT (Ref # 3)	13239-1017	1
HOLDER,CHANGE DRUM P (Ref # 4)	13091-1104	1
SCREW CNTSNK HD 6X20 (Ref # 5)	221B0620	1
PIN GEAR CHANGE DRUM (Ref # 6)	92042-014	1
PIN,GEAR CHNGE DRUM (Ref # 7)	92042-030	1
CIRCLIP,30MM (Ref # 8)	480J3000	1
PIN-DOWEL,4X6 (Ref # 9)	610A0406	1
SHIFT FORK,LOW,2&3RD (Ref # 10)	13140-1008	1
SHIFT FORK,4TH & TOP (Ref # 11)	13140-1009	1
ROD-SHIFT (Ref # 12)	49047-5003	1
CIRCLIP 12MM (Ref # 13)	480J1200	1
PIN COTTER 3.0X20 (Ref # 14)	550D3020	1
DOWEL PIN,8X18 (Ref # 15)	92042-021	1