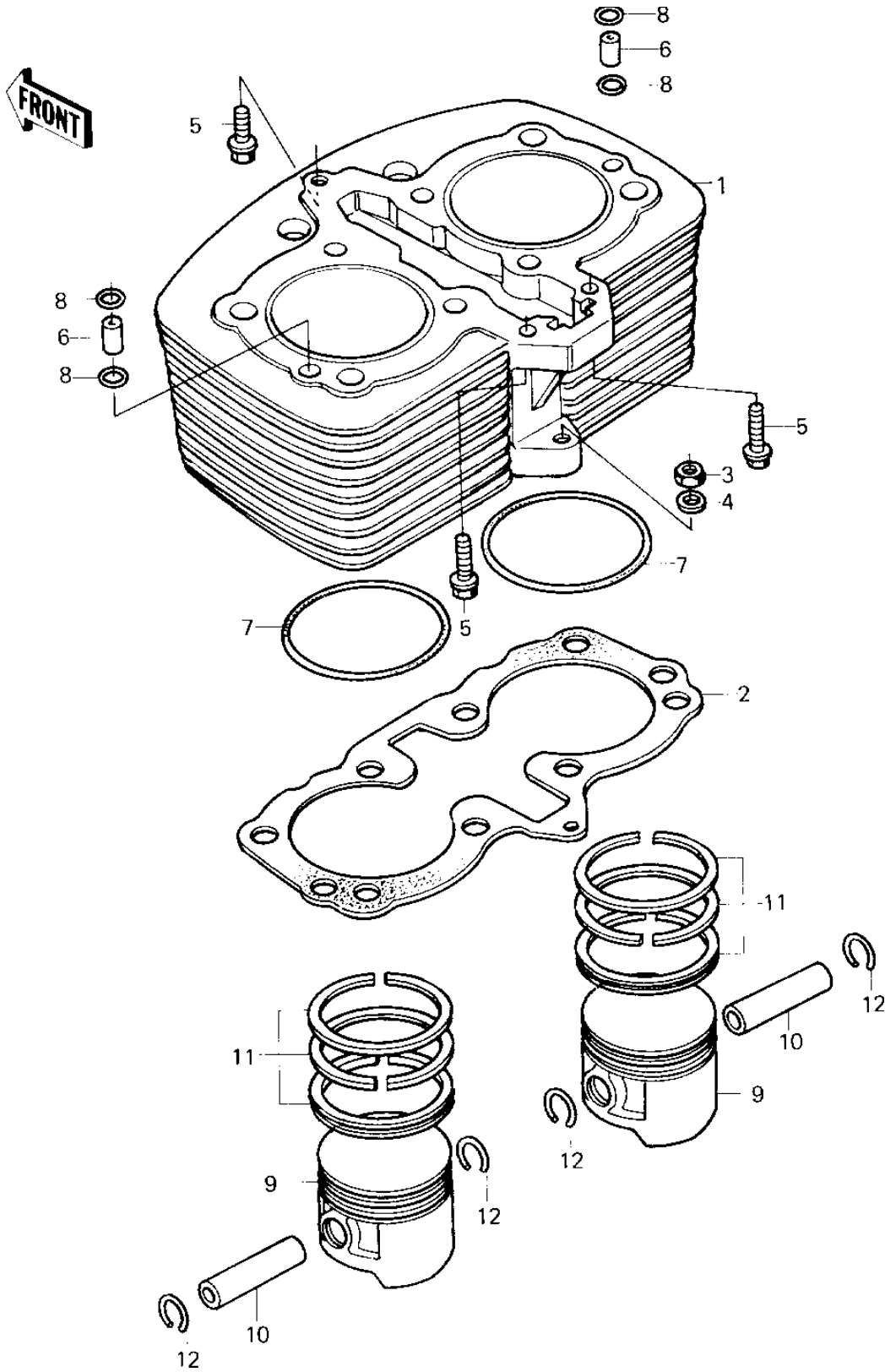


1980 750 LTD-2 PARTS DIAGRAM

CYLINDER/PISTONS



1980 750 LTD-2 PARTS LIST

CYLINDER/PISTONS

ITEM NAME	PART NUMBER	QUANTITY
CYLINDER,BARREL (Ref # 1)	11005-150-2H	1
GASKET,CYLINDER BASE (Ref # 2)	11009-042	1
NUT,6M/M (Ref # 3)	311G0600	1
WASHER PLAIN 6MM (Ref # 4)	410B0600	1
BOLT, HEX HEAD, 6X34 (Ref # 5)	92003-159	1
PIN,DOWEL (Ref # 6)	92042-039	1
"O" RING (Ref # 7)	92055-081	1
"O" RING (Ref # 8)	92055-094	1
PISTON,STD (Ref # 9)	13001-1086	1
PISTON,0.50 O/S (Ref # 9)	13029-1039	1
PISTON,1.00 O/S (Ref # 9)	13027-1038	1
PIN-PISTON (Ref # 10)	13002-031	1
RING SET,PISTON (Ref # 11)	13008-055	1
RING SET,0.020'O.S (Ref # 11)	13025-059	1
RING SET,0.040'O.S (Ref # 11)	13024-059	1
CIRCLIP PISTON PIN (Ref # 12)	92036-008	1